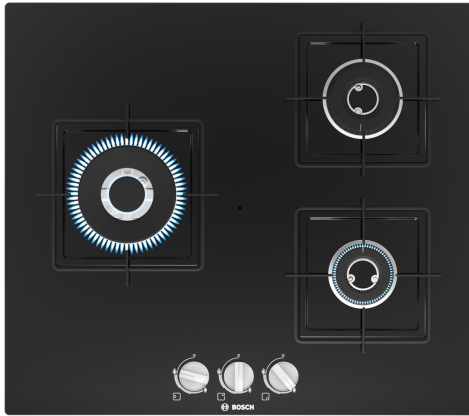


**Series 4, Gas hob, 60 cm, Tempered glass, Black
PNC6B6B11I**



HEZ298105 Simmer plate
HEZ298114 Small pot support

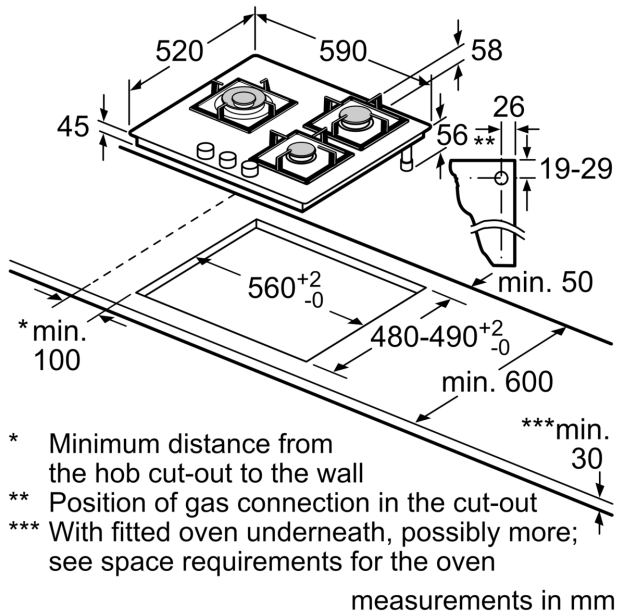
- 6mm Tempered Glass
- Low Profile Stainless Steel Cooking Surface is Easily Accessible and Quick to Clean
- Wok burner: powerful cooking at up to 4 kW (depending on gas type).

Product name/family: gas hob w integrated controls
 Built-in / Free-standing: Built-in
 Energy input: Gas
 Total number of positions that can be used at the same time: 3
 Type of control setting devices: sword knobs
 Min. required niche size for installation (HxWxD):45 x 560-562 x 480-492 mm
 Width of the appliance: 590 mm
 Dimensions: 56x590x520 mm
 Dimensions of the packed product (HxWxD): 141 x 651 x 578 mm
 Net weight: 11.3 kg
 Gross weight: 12.2 kg
 Residual heat indicator: without
 Location of control panel: Front
 Basic surface material: Tempered glass
 Color of surface: Black
 Color of frame: Black
 Length electrical supply cord: 100.0 cm
 Sealed Burners: Plastic
 Sealed Burners: No
 Power of 2nd heating element (kW):4 kW
 Power of 5th heating element (kW): 2.3 kW
 Connection rating: 1 W
 Gas connection rating: 8000 W
 Fuse protection:3 A
 Voltage: 220-240 V
 Frequency: 50 Hz
 Energy input: Gas
 Gas type: Liquidgas G30,31 28-30/37 mbar
 Alternative gas type: Nat gas H/E/(L) 20 (25) mbar
 Plug type: India plug (6 Ampere)
 Appliance Dimensions (h x w x d) (in): x x
 Dimensions of the packed product: 5.55 x 22.75 x 25.62
 Net weight: 25.000 lbs
 Gross weight: 27.000 lbs
 Total number of positions that can be used at the same time: 3
 Length electrical supply cord: 100.0 cm
 Min. required niche size for installation (HxWxD):45 x 560-562 x 480-492 mm
 Dimensions: 56x590x520 mm
 Dimensions of the packed product (HxWxD): 141 x 651 x 578 mm
 Net weight: 11.3 kg
 Gross weight: 12.2 kg



**Series 4, Gas hob, 60 cm, Tempered
glass, Black
PNC6B6B11I**

**Series 4, Gas hob, 60 cm, Tempered glass, Black
PNC6B6B11I**



- * Minimum distance from the hob cut-out to the wall
- ** Position of gas connection in the cut-out
- *** With fitted oven underneath, possibly more; see space requirements for the oven