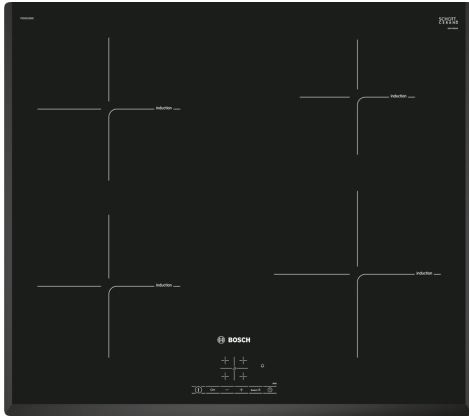


**Series 4, Induction hob, 60 cm,
Black,
PIE651BB5I**



- HEZ390090 Wok Set consisting of 3 Items
- HEZ9ES100 Espresso maker 4 cups
- HEZ9FE280 Iron pan Ø 18 / 28 cm
- HEZ9SE040 4 pieces Set
- HEZ9SE060 6 pieces Set

The induction hob: cook fast, clean and safely while using very little energy.

- **TouchSelect:** Selection of the desired cooking zone and easy setting of the desired power level.
- **U-bevel:** elegant, appealing design with bevelled front and sides.
- **Power Boost:** up to 35% faster heating compared to highest power level.
- **Restart:** restores hob settings in case of an unintentional hob switch-off.
- **Timer with switch-off function:** turns off the assigned cooking zone after the set time.

Product name/family: Cooking zone ceramic
 Built-in / Free-standing: Built-in
 Energy input: Electric
 Total number of positions that can be used at the same time: 4
 Min. required niche size for installation (HxWxD):51 x 560-560 x 490-500 mm
 Width of the appliance:592 mm
 Dimensions: 51x592x522 mm
 Dimensions of the packed product (HxWxD): 126 x 753 x 608 mm
 Net weight: 10.8 kg
 Gross weight: 13.1 kg
 Residual heat indicator: Separate
 Location of control panel: Front
 Basic surface material: Ceramic
 Color of surface:Black
 Length electrical supply cord: 110.0 cm
 Sealed Burners: No
 Heating with booster: All
 Power of heating element (kW): 1.8 kW
 Power of 3rd heating element (kW): 1.8 kW
 Power of 5th heating element (kW): 1.4 kW
 Power of heating element (kW in boost): [3.1] kW
 Power of 3rd heating element (kW in boost): [3.1] kW
 Power of 5th heating element (kW in boost): [2.2] kW
 Connection rating: 7400 W
 Voltage: 220-240 V
 Frequency: 50 Hz
 Energy input: Electric
 Plug type: No plug
 Appliance Dimensions (h x w x d) (in): x x
 Dimensions of the packed product: 4.96 x 23.93 x 29.64
 Net weight: 24.000 lbs
 Gross weight: 29.000 lbs
 Total number of positions that can be used at the same time: 4
 Length electrical supply cord: 110.0 cm
 Min. required niche size for installation (HxWxD):51 x 560-560 x 490-500 mm
 Dimensions: 51x592x522 mm
 Dimensions of the packed product (HxWxD): 126 x 753 x 608 mm
 Net weight: 10.8 kg
 Gross weight: 13.1 kg



**Series 4, Induction hob, 60 cm,
Black,
PIE651BB5I**

The induction hob: cook fast, clean and safely while using very little energy.

Cooking Zone

- 4 Induction cooking zones
- Cooking zones:
 - 1 x Ø180 mm, 1800 W (max. Power level 3.1 KW) Induction;
 - 1 x Ø180 mm, 1800 W (max. Power level 3.1 KW) Induction;
 - 1 x Ø145 mm, 1400 W (max. Power level 2.2 KW) Induction;
 - 1 x Ø210 mm, 2200 W (max. Power level 3.7 KW) Induction

Design

- Frameless with faceted edges
- TouchSelect

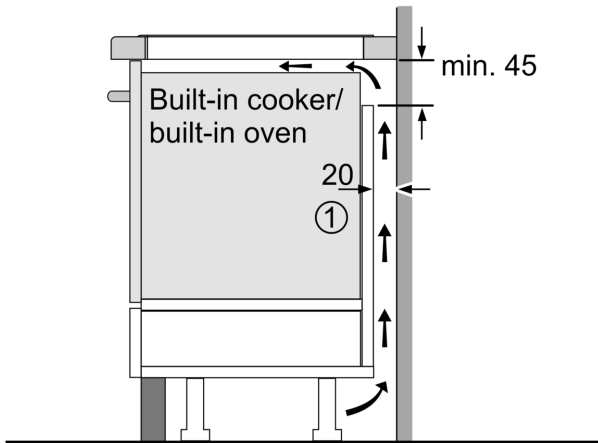
Key Functions

- ReStart Function
- PowerBoost function for all zones
- Variable 17-stage power settings for each zone
- Switch off timer for every cooking zone
- Count down function
- QuickStart Function
- 2 stage residual heat indicator for each zone
- Automatic pan recognition
- power management function Automatic safety switch off Safety lock

Technical Information

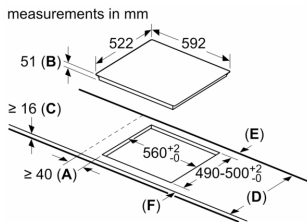
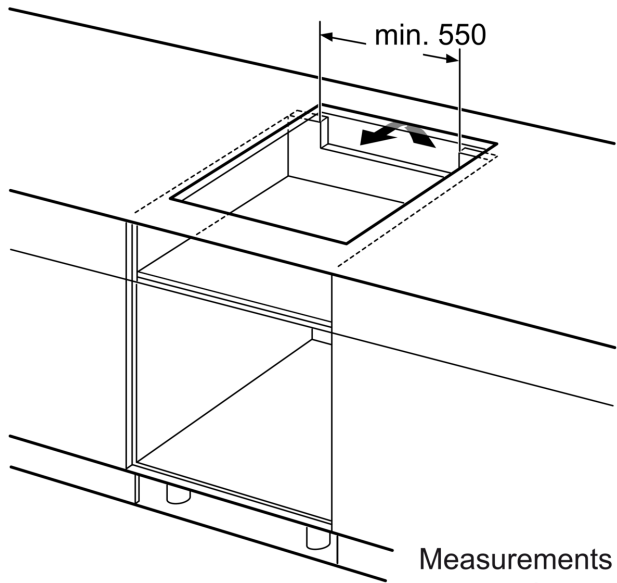
- Dimensions of the product (HxWxD mm) : 51 x 592 x 522
- Required niche size for installation (HxWxD mm) : 51 x 560-560 x 490-500
- Electrical connection rating: 7400 W
- Plug type: no plug

**Series 4, Induction hob, 60 cm,
Black,
PIE651BB5I**



① Ventilation gap must be present

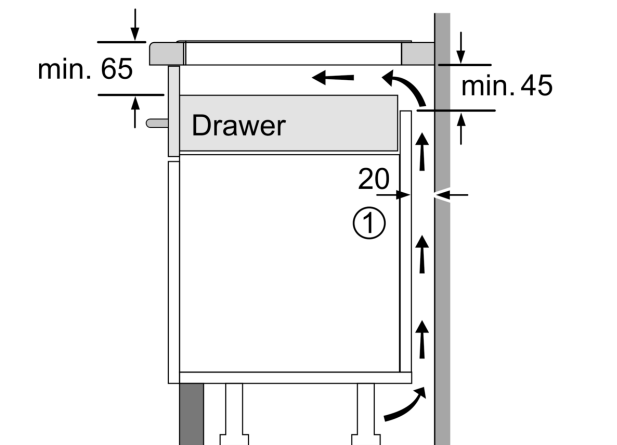
All measurements in mm



- A: Minimum distance from the hob cut-out to the wall.
- B: Recessed depth
- C: The clearance between the surface of the worktop and the top of the front of the oven must be 30 mm. See space requirements for the oven.

The worktop into which the hob is installed must withstand loads of approx. 60 kg; suitable substructures must be used if required.

D	E	F
585-600	50	≥ 35
> 600	≥ 50	≥ 50



① Ventilation gap must be present.

Measurements in mm