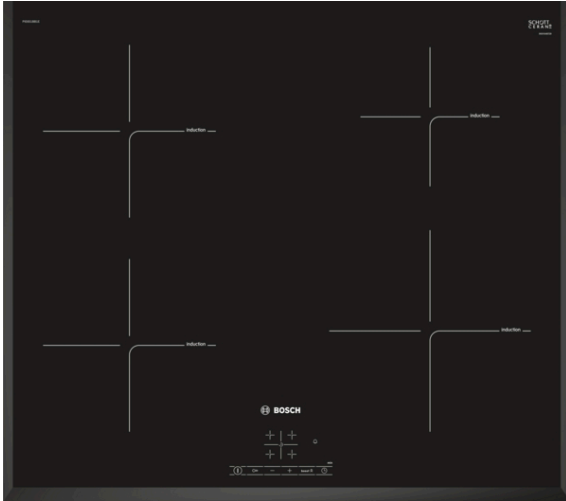


**Series 4, Induction hob, 60 cm, Black
PIE651BB1E****The induction hob: cook fast, clean and
safely while using very little energy.****Technical Data**

Product name/family : Cooking zone ceramic
Construction type : Built-in
Energy input : Electric
Total number of positions that can be used at the same time : 4
Min. required niche size for installation (HxWxD) : 51 x 560-560
x 490-500 mm
Width of the appliance : 592 mm
Dimensions : 51 x 592 x 522 mm
Dimensions of the packed product (HxWxD) : 126 x 753 x 603
mm
Net weight : 11.2 kg
Gross weight : 13.5 kg
Residual heat indicator : Separate
Location of control panel : Hob front
Basic surface material : Ceramic
Color of surface : Black
Length electrical supply cord : 110 cm
Sealed Burners : No
Heating with booster : All
Power of heating element (kW) : 1.8 kW
Power of 3rd heating element (kW) : 1.8 kW
Power of 5th heating element (kW) : 1.4 kW
Power of heating element (kW in boost) : [3.1] kW
Power of 3rd heating element (kW in boost) : [3.1] kW
Power of 5th heating element (kW in boost) : [2.2] kW
Connection Rating : 7400 W
Voltage : 220-240 V
Frequency : 50; 60 Hz
Main colour of product : Black
Energy input : Electric
Plug type : No plug
Appliance Dimensions (h x w x d) (in) : + x x
Dimensions of the packed product : 4.96 x 23.74 x 29.64
Net weight : 25.000 lbs
Gross weight : 30.000 lbs
Total number of positions that can be used at the same time : 4
Length electrical supply cord : 110 cm
Min. required niche size for installation (HxWxD) : 51 x 560-560
x 490-500 mm
Dimensions : 51 x 592 x 522 mm
Dimensions of the packed product (HxWxD) : 126 x 753 x 603
mm
Net weight : 11.2 kg
Gross weight : 13.5 kg



Series 4, Induction hob, 60 cm, Black PIE651BB1E

The induction hob: cook fast, clean and safely while using very little energy.

Cooking Zone

- 4 Induction cooking zones
- Variable 17-stage power settings for each zone
- Cooking zones:
 - 1 x Ø 180 mm, 1800 W (max. Power level 3.1 KW) Induction;
 - 1 x Ø 180 mm, 1800 W (max. Power level 3.1 KW) Induction;
 - 1 x Ø 145 mm, 1400 W (max. Power level 2.2 KW) Induction;
 - 1 x Ø 210 mm, 2200 W (max. Power level 3.7 KW) Induction

Design

- Ceramic glass
- Frameless with faceted design with ceramic glass
- TouchSelect electronic control panel

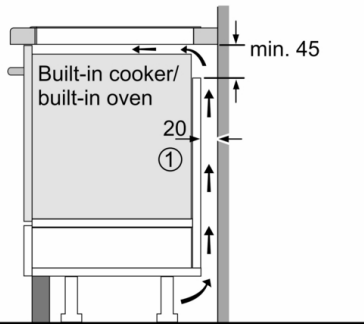
Key Functions

- Switch off timer for every cooking zone
 - Count down function
- Automatic pan recognition
 - Power management function
 - Automatic safety switch off
 - Safety lock
- QuickStart Function
- ReStart Function
- 2 stage residual heat indicator for each zone
- PowerBoost function for all zones

Dimensions

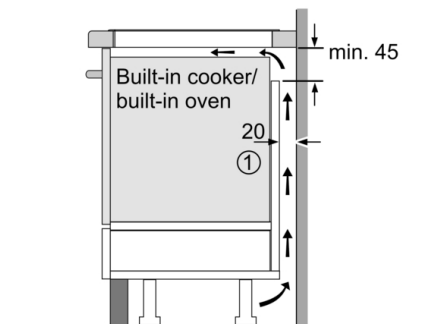
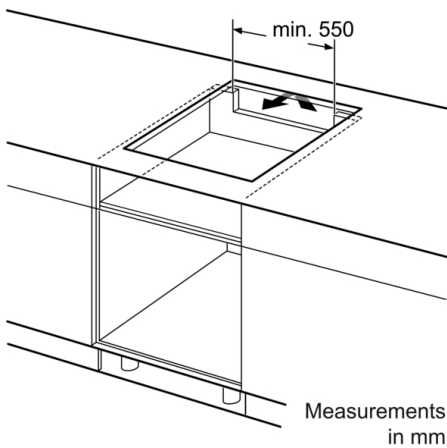
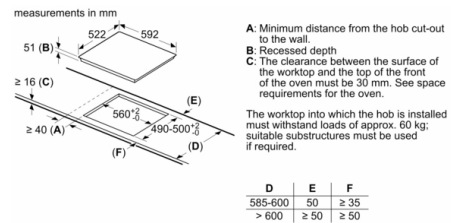
- Dimensions of the product (HxWxD mm) : 51 x 592 x 522
- Length of main cable: 110 cm
- Electrical connection rating: 7400 W
- Required niche size for installation (HxWxD mm) : 51 x 560 - 560 x 490-500

Series 4, Induction hob, 60 cm, Black PIE651BB1E



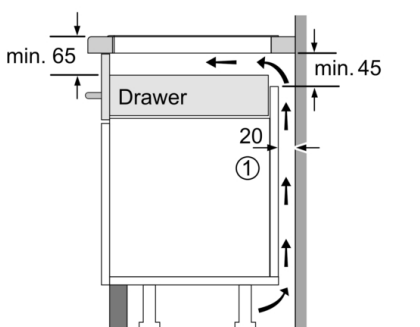
①
Ventilation gap must
be present

All measurements in mm



①
Ventilation gap must
be present

All measurements in mm



①
Ventilation gap must
be present.

Measurements in mm