

**Series 6, built-in fridge-freezer with freezer at bottom, 177.2 x 55.8 cm, flat hinge  
KIN86AF30I**



KS10Z010	Snackbox
KS10Z020	Bottle Rack
KSZ10010	Snackbox
KSZ10020	Bottle Rack

**A premium bottom freezer refrigerator with hyperfresh plus to ensure your vegetables and fruits last longer**

- **LED Lighting:** keep your groceries in perfect view.
- **VarioZone:** more flexibility due to variable-use glass shelves and drawers in the freezer compartment.
- **Big Box:** large capacity freezer storage of frozen food of different sizes
- **EasyAccess Shelf:** retractable glass shelf for convenient loading and unloading and a perfect view
- **2 Cooling Systems:** separately controllable refrigerator and freezer compartments

Built-in / Free-standing:	Built-in
Number of compressors:	1
Number of independent cooling systems:	2
Width of the appliance:	558 mm
Height:	1772 mm
Depth of the product:	545 mm
Net weight:	69.0 kg
Min. required niche size for installation (HxWxD):	1775.0 x 560 x 550 mm
Door panel options:	Not possible
Door hinge:	Right reversible
Number of Adjustable Shelves in fridge compartment:	4
Shelves for Bottles:	No
Frost free system:	Fridge and freezer
Interior ventilator:	Yes
Reversible Door Hinge:	Yes
Length electrical supply cord:	230.0 cm
Noise level:	38 dB(A) re 1 pW
Multi-Flow Air Tower:	No
Fast cooling switch:	Yes
Fast freezing switch:	No
Temperature Controlled Drawer:	No
Humidity Control Drawer:	Yes
Number of Door Bins - Refrigerator:	4
Door bin adjustability - Refrigerator:	Yes
Tilt-out door bins in fridge:	Yes
Gallon Storage:	Yes
Number of Gallon storage:	1
Motorized Shelf:	No
Material of the shelves:	Safety glass
Door opened indicator freezer:	No
Automatic motor-driven ice-maker:	No
Connection rating:	90 W
Fuse protection:	10 A
Voltage:	220-240 V
Frequency:	50-60 Hz
Storage Period in Event of Power Failure (h):	10 h
Door panel options:	Not possible
Noise level:	38 dB(A) re 1 pW
Energy Star Qualified:	No
Plug type:	India plug (6 Ampere)
Required cutout/niche size for installation (in):	x
Dimensions of the packed product:	72.45 x 24.01 x 25.19
Net weight:	152.000 lbs
Gross weight:	164.000 lbs



**Series 6, built-in fridge-freezer with  
freezer at bottom, 177.2 x 55.8 cm,  
flat hinge  
KIN86AF30I**

**A premium bottom freezer refrigerator  
with hyperfresh plus to ensure your  
vegetables and fruits last longer**

---

**General Data**

- Gross Capacity: 273 l
- Gross Capacity (Fridge): 189 L
- Gross Capacity (Freezer): 84 L
- Net Capacity (Total): 254L
- Net Capacity (Fridge): 187L
- Net Capacity (Freezer): 67L
- Dimensions (HxWxD): 177.2 cm x 55.8 cm x 54.5 cm
- Gross Weight: 74.4
- Net Weight: 69.0

**Cooling System**

- Automatic defrost cooling system
- Power ventilation for uniform air circulation
- Supercooling - Automatically brings down the temperature of the refrigerator to cool new groceries rapidly.
- Superfreezing - Automatically brings down the temperature of the freezer to keep cool new items rapidly.

**Convenience & Safety**

- LED illumination in fridge
- Separate temperature controls for Fridge and Freezer
- No frost freezer
- Electronic controls make easier to set temperature and features of your refrigerator

**Fridge Compartment**

- 1 VitaFresh Plus drawer keeps food fresh for up to twice as long
- 5 Safety Glass Shelves of which 4 are height adjustable
- 1 door trays (large)
- 3 door trays (small)

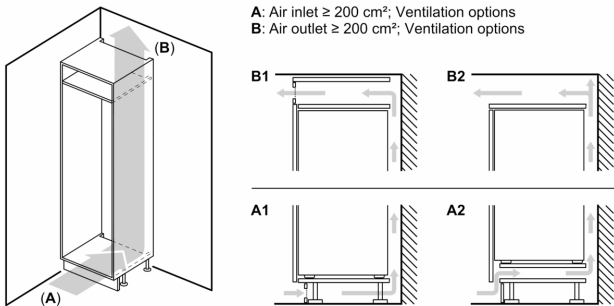
**Freezer Compartment**

- Freezing capacity: 8 kg/ 24 h

**Accessories**

- 2 x cold accumulator(s)
- 2 x egg tray(s) 1 x ice cube tray(s)

**Series 6, built-in fridge-freezer with freezer at bottom, 177.2 x 55.8 cm, flat hinge KIN86AF30I**



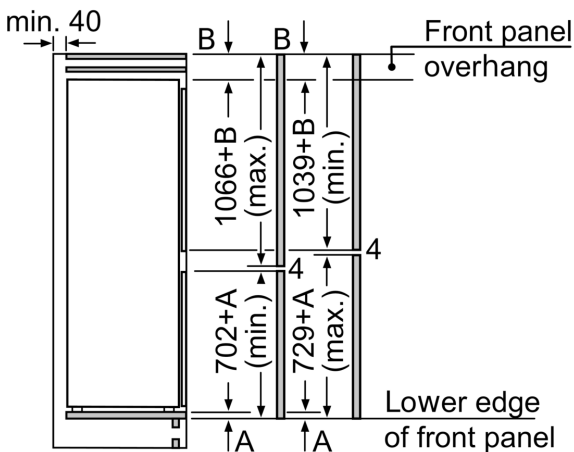
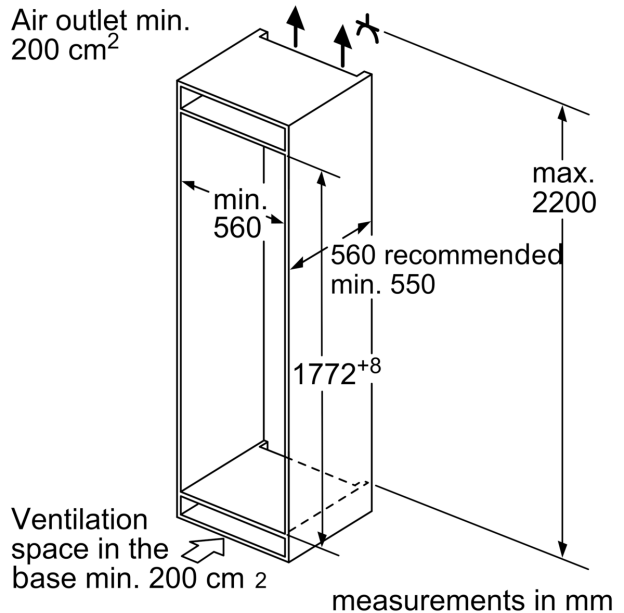
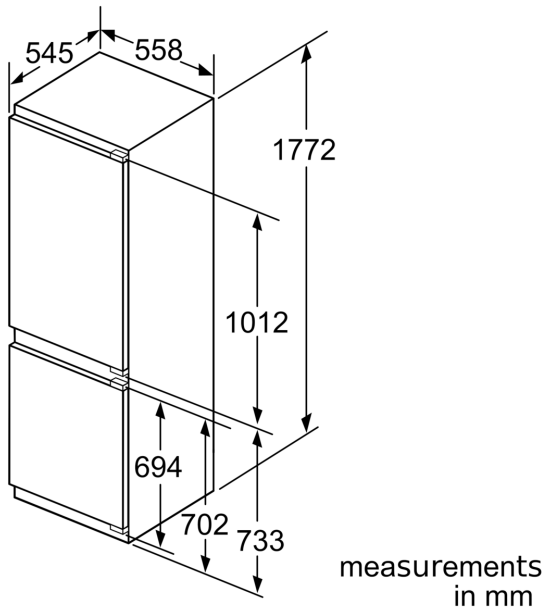
**Maximal permissible weight of the unit fronts**

Fitted unit fronts that exceed the permissible weight may cause damage and result in functional impairment of the hinges

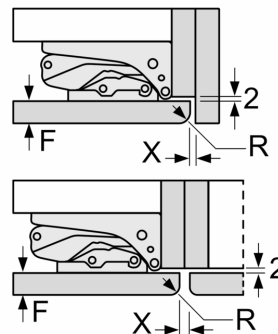
$\Delta$  Weight  
 A: Appliance door height including hinges in mm

B: Undamped hinge, unit front in kg  
 C: Damped hinge, unit front in kg  
 D: Additional possible load in kg with heavy load kit

A	B	C	D
1500-1750	22	22	B+5 / C+5
720-1400	19	19	
A1	15	19	
A2	15	19	



measurements in mm  
 Recommended gap dimensions for flat hinges



F	R	X
16-19	0-3	2.5
20	0-1	3
	2-3	2.5
21	0-1	3
	2-3	2.5
22	0	4
	1	3.5
	2-3	3

The specified unit door dimensions are valid for a door gap of 4 mm.  
 measurements in mm

The gap dimensions recommended in the table must be adhered to in order to ensure that appliance doors do not collide with anything when they are opened, and to avoid causing damage to kitchen units. 1 /