

**Series 2, American side by side,
175.6 x 91.2 cm, Silver
KAN92VS30I**



A large capacity side-by-side fridge-freezer with VariolInverter and intuitive LED electronic control

- **Multiairflow system:** Minimises fluctuating temperatures by ensuring optimal and uniform air circulation in the fridge.
- **SuperCooling quickly chills food and beverages with a touch of a button**
- **EasyAccess Shelf: retractable glass shelf for convenient loading and unloading and a perfect view**
- **DoorAirflow with MultiAirflow help keep masala sauce and bottled water at the door fresh and chilled for longer**
- **LED lighting: keep your groceries in perfect view.**

Built-in / Free-standing: Freestanding
 Number of compressors: 1
 Number of independent cooling systems: 2
 Width of the appliance: 912 mm
 Height: 1756 mm
 Depth of the product: 732 mm
 Net weight: 109.1 kg
 Door panel options: Not possible
 Door hinge: left and right
 Number of Adjustable Shelves in fridge compartment: 3
 Shelves for Bottles: No
 Frost free system: Fridge
 Interior ventilator: Yes
 Reversible Door Hinge: No
 Length electrical supply cord: 300.0 cm
 Noise level: 43 dB(A) re 1 pW
 Multi-Flow Air Tower: Yes
 Fast cooling switch: Yes
 Fast freezing switch: No
 Carbon Air Filter: No
 Temperature Controlled Drawer: No
 Humidity Control Drawer: No
 Number of Door Bins - Refrigerator: 4
 Door bin adjustability - Refrigerator: No
 Tilt-out door bins in fridge: Yes
 Number of Gallon storage: 2
 Number of shelves - Freezer: 3
 Shelf Adjustability - Freezer: Yes
 Connection rating: 190 W
 Fuse protection: 10 A
 Voltage: 220-240 V
 Frequency: 50-60 Hz
 Storage Period in Event of Power Failure (h): 12 h
 Color / Material body: Silver
 Door panel options: Not possible
 Noise level: 43 dB(A) re 1 pW
 Energy Star Qualified: No
 Required cutout/niche size for installation (in): x
 Dimensions of the packed product: 74.25 x 38.58 x 31.10
 Net weight: 240.000 lbs
 Gross weight: 258.000 lbs



**Series 2, American side by side,
175.6 x 91.2 cm, Silver
KAN92VS30I**

**A large capacity side-by-side fridge-freezer
with VariInverter and intuitive LED
electronic control**

General Data

- Gross Capacity (Total): 658 L
- Gross Capacity (Fridge): 407 L
- Gross Capacity (Freezer): 251 L
- Net Capacity (Total): 604L
- Net Capacity (Fridge): 387L
- Net Capacity (Freezer): 217L
- Appliance Height: 1756 mm
- Appliance Width: 912 mm
- Appliance Depth: 732 mm
- Gross Weight: 117
- Net Weight: 109.1

Cooling System

- NoFrost - Saves you time and effort from defrosting.
- Supercooling - Automatically brings down the temperature of the refrigerator to cool new groceries rapidly.
- Superfreezing - Automatically brings down the temperature of the freezer to keep cool new items rapidly.
- MultiAirflow system - Minimises fluctuating temperatures by ensuring optimal and uniform air circulation in the fridge.

Convenience & Safety

- LED illumination in fridge and freezer section
- Digital LED electronic panel
- Separate temperature controls for Fridge and Freezer
- Alarm system to alert the prolonged opening of refrigerator doors
- Adjustable front feet for added stability

Fridge Compartment

- 2 Multibox for extra storage
- 2 Extension rail systems for easy pull-out of drawer-compartments
- 4 Safety Glass Shelves of which 3 are height adjustable and extendable
- 2 door trays (large)
- 2 door trays (small)

Freezer Compartment

- 2 Pull-out drawers, including 1 Big Box for storing large items
- 2 storage drawers on extension rail systems for easy pull-out
- 4 door trays
- Freezing capacity: 12 kg/ 24 h

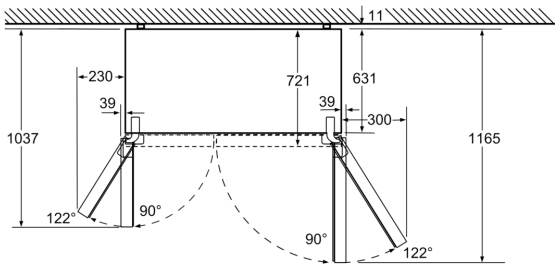
Design and Styling

- Silver door finishing
- Integrated Vertical Handle

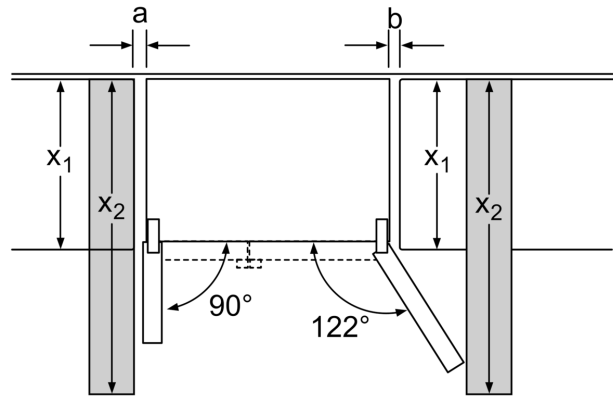
Accessories

- 2 x egg tray(s)
- 1 x ice cube tray(s)

**Series 2, American side by side,
175.6 x 91.2 cm, Silver
KAN92VS30I**

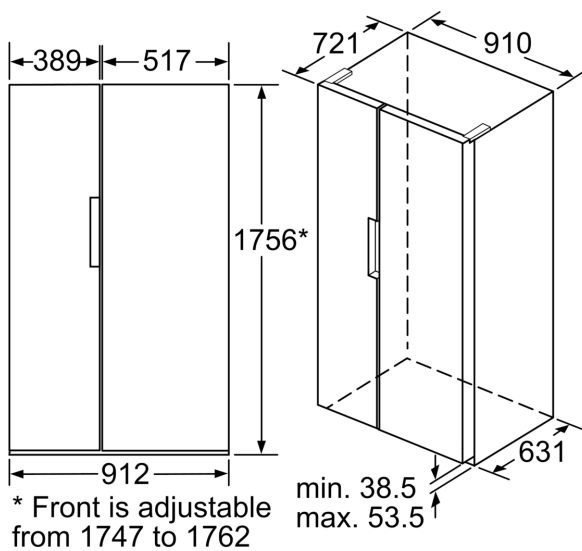


Chilling drawers can be pulled out completely at a door opening angle of 122°
measurements in mm



x_1 (unit depth)	a	b
600	39	39
650	39	53
700	39	85
x_2 (wall)	39	300

measurements in mm



* Front is adjustable
from 1747 to 1762

min. 38.5
max. 53.5 ↑

measurements in mm