

**Serie | 8, American side by side, glass door, Black
KAN92LB35I**



Included accessories

2 x cold accumulator
1 x egg tray

A large capacity side-by-side fridge-freezer with VariolInverter, Black Glass door finishing and Premium Touch Electronic control

- **VariolInverter:** Cools efficiently with lower energy consumption of EU A++ Energy Rating
- **Capacity:** Large capacity with flexible spaces for storing groceries of different sizes
- **Vitafresh Plus:** keeps fruits and vegetables fresh for up to 2 times longer
- **Design:** Accentuated with modern sleek Black glass doors
- **Digital Display and Control:** Controls and sets the temperatures and features of the refrigerator
- **NoFrost:** Prevents ice from forming, thus, saving you time and effort from defrosting.

Technical Data

Built-in / Free-standing :	Freestanding
Number of compressors :	1
Number of independent cooling systems :	2
Width of the product (mm) :	912
Height (mm) :	1756
Depth of the product :	732
Net weight (kg) :	139.729
Door panel options :	Not possible
Door hinge :	left and right
Number of Adjustable Shelves in fridge compartment :	3
Shelves for Bottles :	Yes
Frost free system :	Fridge and freezer
Reversible Door Hinge :	No
Length electrical supply cord (cm) :	300
Noise level (dB) :	43
Multi-Flow Air Tower :	Yes
Fast cooling switch :	Yes
Fast freezing switch :	Yes
Carbon Air Filter :	No
Temperature Controlled Drawer :	No
Number of Door Bins - Refrigerator :	5
Door bin adjustability - Refrigerator :	No
Tilt-out door bins in fridge :	Yes
Number of Gallon storage :	2
No. of shelves in fridge :	4
Number of shelves - Freezer :	2
Shelf Adjustability - Freezer :	Yes
Connection Rating (W) :	190
Current (A) :	10
Voltage (V) :	220-240
Frequency (Hz) :	50-60
Storage Period in Event of Power Failure (h) :	12
Approval certificates :	CE, Eurasian, VDE
Color / Material body :	Chrome Inox-metallic
Colour.Material door :	black
Door panel options :	Not possible
Noise level (dB) :	43
Required cutout/niche size for installation (in) :	x x
Dimensions of the packed product (in) :	74.25 x 38.58 x 31.10
Net weight (lbs) :	308
Gross weight (lbs) :	324
Product name / Commercial code :	KAN92LB35I



4 242002 964973

Serie | 8, American side by side, glass door, Black KAN92LB35I

A large capacity side-by-side fridge-freezer with VariolInverter, Black Glass door finishing and Premium Touch Electronic control

General Data

- Gross Capacity (Total): 655 L
- Gross Capacity (Fridge): 404 L
- Gross Capacity (Freezer): 251 L
- Energy Efficiency Rating: A++
- Energy Consumption: 639 kWh/annum
- Appliance Height: 1,756 mm
Appliance Width: 912 mm
Appliance Depth: 732 mm
- Net Weight: 139.7 kg

Cooling System

- NoFrost - Saves you time and effort from defrosting.
- Supercooling - Automatically brings down the temperature of the refrigerator to cool new groceries rapidly.
- Superfreezing - Automatically brings down the temperature of the freezer to keep cool new items rapidly.
- MultiAirflow system - Minimises fluctuating temperatures by ensuring optimal and uniform air circulation in the fridge.

Convenience & Safety

- LED Illumination in freezer and fridge sections
- Digital LED electronic panel
- Separate temperature controls for Fridge and Freezer
- Alarm system to alert the prolonged opening of refrigerator doors
- Easy positioning and handling with appliance on 4 wheels
- Adjustable front feet for added stability
- AirFresh Filter - Removes and prevents food odors

Fridge Compartment

- 1 VitaFresh Plus drawer keeps food fresh for up to twice as long
- 1 VitaFresh box so fish and meat stay fresh for longer
- 1 Vegetable container for extra storage
- 3 Extension rail systems for easy pull-out of drawer-compartments
- 4 Safety Glass Shelves of which 3 are height adjustable and extendable
- 1 Dairy compartment
- 2 door trays (large)
3 door trays (small)
- 1 wine rack

Freezer Compartment

- 2 pull out drawers, incl. 1 Big Box for large size storing
- 2 storage drawers on extension rail systems for easy pull-out
- 4 glass shelves which are 2 are adjustable
- 5 Door Bins
- Easy twist ice box
- Freezing capacity: 12 kg/ 24 h

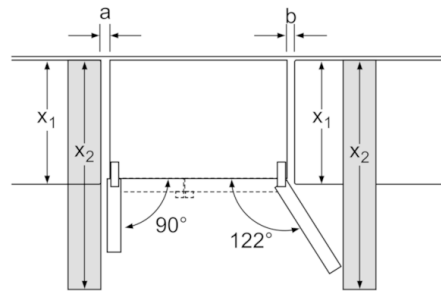
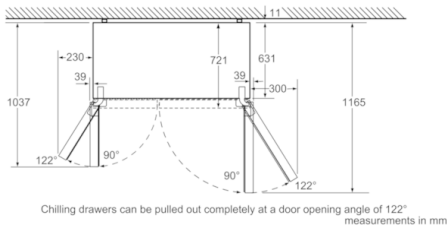
Design and Styling

- Sleek Black glass door finishing
- Integrated Vertical Handle

Accessories

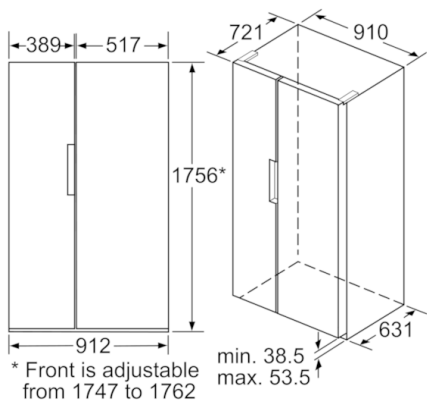
- 2 x cold accumulator
- 1 x egg tray

**Serie | 8, American side by side, glass door,
Black
KAN92LB35I**



X ₁ (unit depth)	a	b
600	39	39
650	39	53
700	39	85
X ₂ (wall)	39	300

measurements in mm



measurements in mm