

**Serie | 4, American side by side, 180 x 90 cm, Inox-look  
KAN56V40NE**



**Included accessories**

1 x egg tray

- **NoFrost:** Prevents ice from forming, thus, saving you time and effort from defrosting.
- **EasyAccess Shelf:** retractable glass shelf for convenient loading and unloading and a perfect view
- **Multiairflow system:** Minimises fluctuating temperatures by ensuring optimal and uniform air circulation in the fridge.
- **DoorAirflow with MultiAirflow** help keep masala sauce and bottled water at the door fresh and chilled for longer

**Technical Data**

Built-in / Free-standing :	Freestanding
Number of compressors :	1
Number of independent cooling systems :	1
Width of the product (mm) :	900
Height (mm) :	1800
Depth of the product :	674
Net weight (kg) :	105.453
Door panel options :	Not possible
Door hinge :	left and right
Number of Adjustable Shelves in fridge compartment :	3
Shelves for Bottles :	No
Frost free system :	Fridge and freezer
Interior ventilator :	Yes
Reversible Door Hinge :	No
Length electrical supply cord (cm) :	240
Noise level (dB) :	45
Multi-Flow Air Tower :	Yes
Fast cooling switch :	No
Fast freezing switch :	No
Carbon Air Filter :	No
Temperature Controlled Drawer :	No
Humidity Control Drawer :	No
Number of Door Bins - Refrigerator :	4
Door bin adjustability - Refrigerator :	No
Tilt-out door bins in fridge :	No
Number of Gallon storage :	2
No. of shelves in fridge :	4
Shelf Adjustability - Freezer :	No
Connection Rating (W) :	300
Current (A) :	10
Voltage (V) :	220-240
Frequency (Hz) :	50
Storage Period in Event of Power Failure (h) :	5
Approval certificates :	CE
Color / Material body :	Inox-look
Door panel options :	Not possible
Noise level (dB) :	45
Energy Star Qualified :	No
Required cutout/niche size for installation (in) :	x x
Dimensions of the packed product (in) :	74.80 x 37.79 x 30.31
Net weight (lbs) :	232.000
Gross weight (lbs) :	254.000
Product name / Commercial code :	KAN56V40NE



## **Serie | 4, American side by side, 180 x 90 cm, Inox-look KAN56V40NE**

---

- Gross Capacity (Total): 618 L
- Gross Capacity (Fridge): 377 L
- Gross Capacity (Freezer): 241 L
- Appliance Height: 1800 mm  
Appliance Width: 900 mm  
Appliance Depth: 674.5 mm
- MultiAirflow system - Minimises fluctuating temperatures by ensuring optimal and uniform air circulation in the fridge.

### **Convenience & Safety**

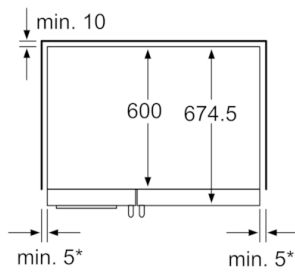
- Separate temperature controls for Fridge and Freezer

### **Design and Styling**

- Vertical handle

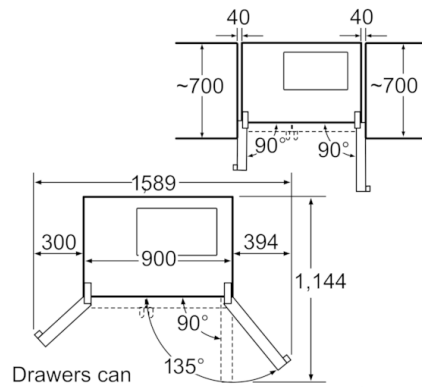
### **Accessories**

**Serie | 4, American side by side, 180 x 90  
cm, Inox-look  
KAN56V40NE**



\* If the appliance is placed next to a cooker, the side clearance must be 30 mm minimum.

measurements in mm



Drawers can be pulled out with door opened to 90°. Drawers can be removed with door completely opened. Measurements in mm