

**Series 8, Built-in oven with steam function, 60 x 60 cm, Black HSG636BB1**



1 x enamel baking tray, 1 x grid, 1 x universal pan, punched, size XL, 1 x steam container, unpunched, size S

HEZ36D163 Steam container, unpunched, size S, HEZ36D163G Steam container, punched, size S, HEZ530000 Half tray, HEZ531010 Baking tray, non-stick ceramic coated, HEZ532010 Universal pan, non-stick ceramic coated, HEZ617000 Pizza pan, enamelled, HEZ625071 Grill tray, anthracite, HEZ631070 Baking tray, enamelled, HEZ632070 Multipurpose pan, enamelled, HEZ633001 Lid for professional pan, enamelled, HEZ633070 Professional pan with grid, enamelled, HEZ635000 Barbecue-Set, HEZ636000 Glass pan, HEZ638D30 3 level telescopic rails, full ext, steam, HEZ660050 Cover Strip, HEZ664000 Baking and roasting grid, steam, HEZ915003 Glass roasting dish, 5,4 L, HEZG0AS00 Connecting cable 3m

**The 60cm high steam oven: perfect baking, moist steam baking and gentle steaming.**

- **EcoClean Direct:** almost no cleaning is necessary thanks to a special coating of the rear wall that automatically absorbs grime.
- **LED-light:** perfect illumination of foods with minimum energy consumption.
- **Flap door with SoftOpen and SoftClose:** the oven door opens and closes especially gently and quietly.

Gross weight: ..... 95.000 lbs  
 Built-in / Free-standing: ..... Built-in  
 Door opening: ..... Drop down  
 Min. required niche size for installation (HxWxD): 585-595 x 560-568 x 550 mm  
 Dimensions: ..... 595x594x548 mm  
 Dimensions of the packed product (HxWxD): ..... 675 x 660 x 690 mm  
 Control Panel Material: ..... Glass  
 Door Material: ..... Glass  
 Net weight: ..... 40.8 kg  
 Length electrical supply cord: ..... 120.0 cm  
 Cooking method: Defrost, Steam 100%, fermentation, Regeneration, 4D hot air, Full width grill, Hot Air-Eco, Half width grill, Conventional heat, Conventional heat ECO, Pizza setting, low temperature cooking, Bottom heat, Hot air grilling, pre-heating, warming  
 Time-setting Options: ..... Start and Stop  
 Fuse protection: ..... 16 A  
 Voltage: ..... 220-240 V  
 Frequency: ..... 60; 50 Hz  
 Plug type: ..... Gardy plug w/ earthing  
 Alternative colors available: ..... HSG636BW1, HSG636BS1  
 Energy input: ..... Electric  
 Fuse protection: ..... 16 A  
 Voltage: ..... 220-240 V  
 Frequency: ..... 60; 50 Hz  
 Plug type: ..... Gardy plug w/ earthing  
 Dimensions of the packed product: ..... 26.57 x 25.98 x 27.16  
 Net weight: ..... 90.000 lbs  
 Included accessories: . 1 x enamel baking tray, 1 x grid, 1 x universal pan, 1 x steam container, punched, size S, 1 x steam container, punched, size XL, 1 x steam container, unpunched, size S



## Series 8, Built-in oven with steam function, 60 x 60 cm, Black HSG636BB1

### The 60cm high steam oven: perfect baking, moist steam baking and gentle steaming.

#### Heating Functions

- Combi-steam oven with 12 heating methods:
- 4D hot air
- Hot Air-Eco Conventional heat Conventional heat ECO Hot air grilling Full width grill Half width grill Pizza setting bottom heat Soft steaming Warming keep warm
- Additional heating methods with steam: Steam, Reheating, Dough proving, defrost
- Temperature range 30 °C - 250 °C
- Cavity volume: 71 l

#### Hook-in racks / rails

- Easy fit shelf support rails with electronic link

#### Design

- Cavity inner surface: enamel anthracite

#### Colour display: Full Color

- Ecolyse features: back panel

#### Comfort

- LED display control (red)
- electronic clock with LED display
- Additional functions:
- Descaling programme
- autom. boiling point detection drying function
- Oven door with Drop down door, soft closing, soft opening
- Supporting systems: Dish categories
- Rapid heating-up
- Rapid heating-up: automatic
- Water tank capacity 1 l
- Tank empty indicator
- Location of the steam generator is outside of the cavity
- Integral cooling fan

#### Accessories

- 1 x universal pan, 1 x enamel baking tray, 1 x grid, 1 x steam container, punched, size XL, 1 x steam container, punched, size S, 1 x steam container, unpunched, size S

#### Connecting cable: 120 cm

- Child lock
- Automatic safety switch off residual heat indicator Start-/Stop button door contact switch

#### Technical Information

- Length of mains cable: 120 cm
- Nominal voltage: 220 - 240 V
- Total connected load electric: 3.6 KW
- Energy efficiency rating (acc. EU Nr. 65/2014): A+(at a range of energy efficiency classes from A+++ to D)
- Energy consumption per cycle in conventional mode:0.87 kWh
- Energy consumption per cycle in fan-forced convection mode:0.69 kWh

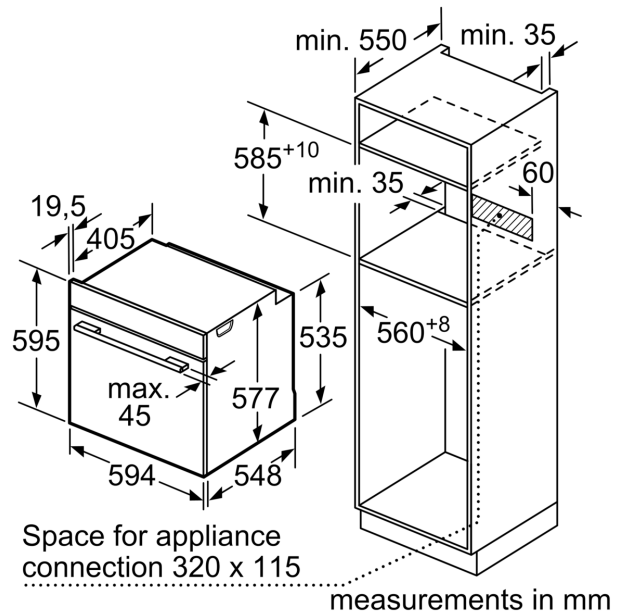
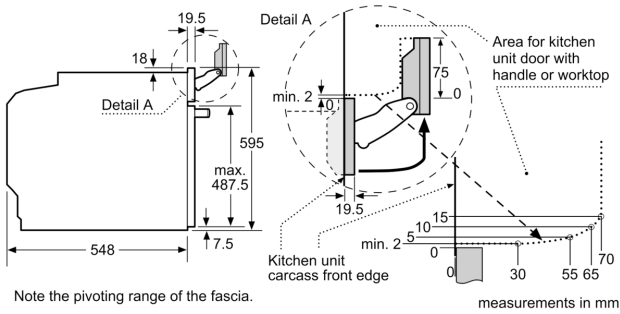
kWh

- Number of cavities: 1 Heat source: electrical Cavity volume:71 l
- Energy efficiency rating (acc. EU Nr. 65/2014):A+(at a range of energy efficiency classes from A+++ to D)
- Energy consumption per cycle in conventional mode:0.87 kWh
- Energy consumption per cycle in fan-forced convection mode:0.69 kWh
- Number of cavities: 1 Heat source: electrical Cavity volume:71 l

#### Dimensions:

- Appliance dimension (hxwxd): 595 mm x 594 mm x 548 mm
- Required niche size for installation (HxWxD): 585 mm - 595 mm x 560 mm - 568 mm x 550 mm
- Please reference the built-in dimensions provided in the installation drawing

**Series 8, Built-in oven with steam function, 60 x 60 cm, Black HSG636BB1**



If the appliance will be installed underneath a hob, the following worktop thicknesses (including substructure if necessary) must be taken into account.

Hob type	min. worktop thickness	
	fitted	flush
Induction hob	37 mm	38 mm
Full surface Induction hob	47 mm	48 mm
Gas hob	30 mm	38 mm
Electric hob	27 mm	30 mm

