

Series 4, Gas range cooker, Stainless steel HGVD A0Q59K



- Retain heat and reduce odors for faster cooking.
- Effortless cleaning with removable inner glass.
- Elegant stainless-steel design.
- Cook rotisserie chicken to a perfect, golden-brown finish.

Built-in / Free-standing: Freestanding
 Dimensions: 884-929x899x607 mm
 Net weight: 78.3 kg
 Gross weight: 84.1 kg
 Integrated Cleaning system: No
 Included accessories: 1 x rotary spit, 1 x cross support for espresso,
 1 x grid, 1 x universal pan
 Broil Element Wattages cavity 1: 3100 W
 Power of heating element (kW): 3 kW
 Power of 3rd heating element (kW): 1.75 kW
 Connection rating: 90 W
 Fuse protection: 13 A
 Voltage: 220-240 V
 Frequency: 50; 60 Hz
 Plug type: India plug (16 Ampere)
 Energy input: Gas
 Gas type: Liquidgas G30,31 28-30/37 mbar
 Gross weight: 185.000 lbs
 Dimensions: 884-929x899x607 mm
 Dimensions of the packed product (HxWxD): 880 x 990 x 710 mm



Series 4, Gas range cooker, Stainless steel HGVDA0Q59K

Cooktop

Heating Functions

Design

Comfort

Accessories

- 1 x rotary spit, 1 x cross support for espresso, 1 x grid, 1 x universal pan

Technical Information

- Preset for liquid gas, (28 - 30/37 mbar)

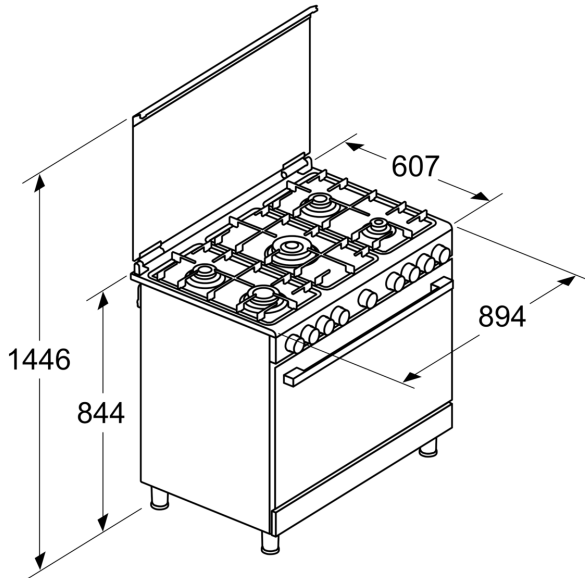
Dimensions:

- Appliance dimension (hxwxd): 884 mm x 899 mm x 607 mm
- Adjustable feet

Hook-in racks / rails

Series 4, Gas range cooker, Stainless steel
HGVDA0Q59K

measurements in mm



measurements in mm

