

**Serie | 2, Built-in oven, Stainless steel  
HBN559E1M**

**A**

**Included accessories**

1 x enamel baking tray  
1 x combination grid  
1 x universal pan

**The built-in oven with special hot air function: you achieve perfect baking and roasting results on up to two levels simultaneously.**

- **Hotair:** perfect results thanks to optimal distribution of heat on up to 2 levels simultaneously.
- **Flap door:** for especially convenient opening and closing of the oven door.
- **Energy efficiency class A:** Best baking results with low energy consumption.

**Technical Data**

Color / Material Front :	Stainless steel
Built-in / Free-standing :	Built-in
Integrated Cleaning system :	No
Required niche size for installation (HxWxD) :	575-597 x 560-568 x 550
Dimensions of the product (mm) :	595 x 595 x 548
Dimensions of the packed product (HxWxD) (mm) :	675 x 680 x 655
Control Panel Material :	Stainless steel
Door Material :	Glass
Net weight (kg) :	32.181
Usable volume of cavity (l) :	66
Cooking method :	3D hot air, Bottom heat, Conventional heat, Defrost, Full width variable grill, Half width variable grill, Hot air grilling, Pizza setting
First cavity material :	Enameled
Number of interior lights :	1
Approval certificates :	CE, KEMA
Length electrical supply cord (cm) :	100
Interior Lights - cavity 1 :	1
Pull-out system :	1-level
Clock function :	Alarm, Off, On
Included accessories :	1 x enamel baking tray, 1 x combination grid, 1 x universal pan
Broil Element Wattages cavity 1 (W) :	2800
Energy consumption per cycle conventional (2010/30/EC) :	0.98
Energy consumption per cycle forced air convection (2010/30/EC) :	0.82
Energy efficiency index (2010/30/EC) :	98.8
Connection Rating (W) :	2900
Current (A) :	13
Voltage (V) :	220-240
Frequency (Hz) :	50; 60
Plug type :	No plug
Color / Material Front :	Stainless steel
Energy input :	Electric
Approval certificates :	CE, KEMA
Required cutout/niche size for installation (in) :	x x
Dimensions of the packed product (in) :	26.57 x 25.78 x 26.77
Net weight (lbs) :	71.000
Gross weight (lbs) :	76
Length electrical supply cord (cm) :	100
Net weight (kg) :	32.181
Gross weight (kg) :	34.0



4 242002 863726

## Serie | 2, Built-in oven, Stainless steel HBN559E1M

**The built-in oven with special hot air function: you achieve perfect baking and roasting results on up to two levels simultaneously.**

---

### Heating Modes

- Oven with 8 heating methods:
  - Defrost
  - Conventional heat
  - Pizza setting
  - Bottom heat
  - Hot air grilling
  - 3D hot air (obsolete)
  - Half width variable grill
  - Full width variable grill

### Design

- Rotary control knob
- electronic clock with LED display
- Straight Bar handle
- Cavity inner surface: Enamel

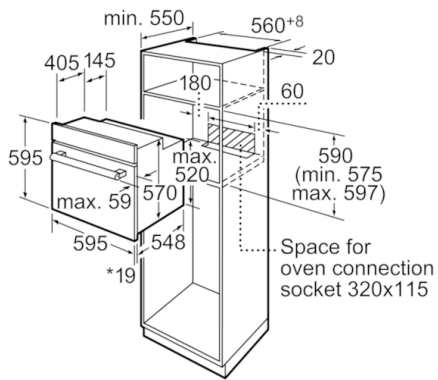
### Comfort

- Cavity volume: 66 l
- Temperature range 50 °C - 270 °C
- Illumination type: Round light
- Catalytic oven cavity (rear wall)
- Oven cavity with removable rack supports
- childproof lock

### Technical Information

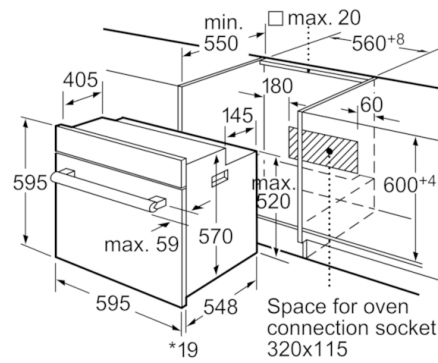
- Appliance dimension (hxwxd): 595 mm x 595 mm x 548 mm
- Required niche size for installation (HxWxD): 575 mm - 597 mm x 560 mm - 568 mm x 550 mm
- Length of main cable: 100 cm
- Electrical connection rating: 2,900 W

**Serie | 2, Built-in oven, Stainless steel  
HBN559E1M**



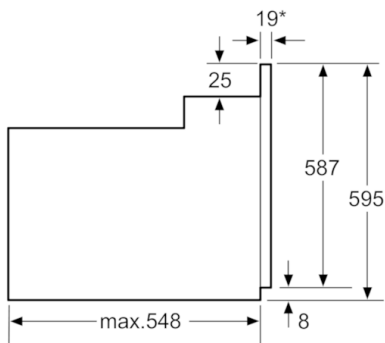
\*20 mm for metal fascias

Measurements in mm



\*20 mm for metal fascias

Measurements in mm



\* 20 mm for metal fascias

Dimensions in mm