

**Serie | 2, Built-in oven, Stainless steel
HBN311E2J**

Included accessories

1 x combination grid
1 x universal pan

The built-in oven with special hot air function: you achieve perfect baking and roasting results on up to two levels simultaneously.

- **Hotair:** perfect results thanks to optimal distribution of heat on up to 2 levels simultaneously.
- **Flap door:** for especially convenient opening and closing of the oven door.
- **Energy efficiency class A:** Best baking results with low energy consumption.

Technical Data

Color / Material Front :	Stainless steel
Built-in / Free-standing :	Built-in
Integrated Cleaning system :	No
Required niche size for installation (HxWxD) :	575-597 x 560-568 x 550
Dimensions of the product (mm) :	595 x 595 x 548
Dimensions of the packed product (HxWxD) (mm) :	675 x 685 x 660
Control Panel Material :	Metal
Door Material :	Glass
Net weight (kg) :	34.283
Usable volume of cavity (l) :	66
Cooking method :	3D hot air, Bottom heat, Conventional heat, Full width variable grill, Hot air grilling
First cavity material :	Enameled
Number of interior lights :	1
Approval certificates :	CE, KEMA
Length electrical supply cord (cm) :	100
Interior Lights - cavity 1 :	1
Clock function :	Alarm
Included accessories :	1 x combination grid, 1 x universal pan
Broil Element Wattages cavity 1 (W) :	2800
Energy consumption per cycle conventional (2010/30/EC) :	0.98
Energy consumption per cycle forced air convection (2010/30/EC) :	0.82
Energy efficiency index (2010/30/EC) :	98.8
Connection Rating (W) :	2900
Current (A) :	13
Voltage (V) :	220-240
Frequency (Hz) :	60; 50
Plug type :	Gardy plug w/ earthing
Color / Material Front :	Stainless steel
Energy input :	Electric
Approval certificates :	CE, KEMA
Required cutout/niche size for installation (in) :	x x
Dimensions of the packed product (in) :	26.57 x 25.98 x 26.96
Net weight (lbs) :	76.000
Gross weight (lbs) :	80
Length electrical supply cord (cm) :	100
Net weight (kg) :	34.283
Gross weight (kg) :	37.0

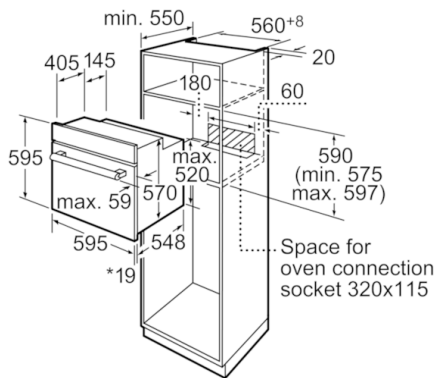


Serie | 2, Built-in oven, Stainless steel HBN311E2J

The built-in oven with special hot air function: you achieve perfect baking and roasting results on up to two levels simultaneously.

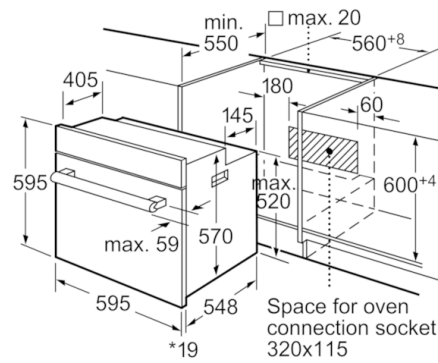
-
- Cavity volume: 66 l
 - Multifunction oven with 5 cooking functions: 3D hot air, Conventional heat, Bottom heat, Hot air grilling, Full width variable grill
 - Full-glass inner door
 - Integral cooling fan
 - Round light
 - mechanical timer
 - Illumination type: Round light
 - Rapid heating-up: manual
 - Temperature range 50 °C - 270 °C
 - Oven cavity with removable rack supports
 - Number of glass panes: 3 PC
 - Removable oven door for easy-cleaning
 - Appliance Dimensions (HxWxD): 60 cm x 60 cm x 55 cm
 - Cutout Dimensions (H x W x D): 59.7 cm x 56.8 cm x 55 cm
 - Cable with plug (1.00 m)
 - Total connected load electric: 2.9 KW

Serie | 2, Built-in oven, Stainless steel HBN311E2J



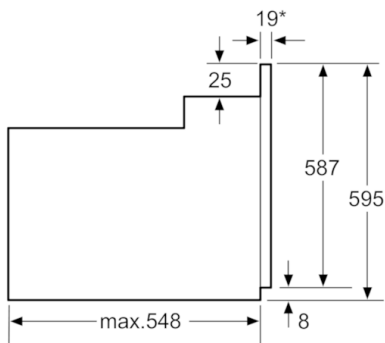
*20 mm for metal fascias

Measurements in mm



*20 mm for metal fascias

Measurements in mm



* 20 mm for metal fascias

Dimensions in mm