

**Series 6, Built-in oven, 60 x 60 cm,
Black
HBJ577EB01**



- **Pyrolytic self-cleaning:** Automatically cleans the oven, just wipe out the ash.
- **3D Hotair:** perfect results thanks to optimal distribution of heat on up to 3 levels simultaneously.
- **Ideal for preparing of frozen pizza.**
- **Pop-out controls: for an easy to clean front.**
- **Hotair Gentle: saves energy while baking and roasting.**

1 x enamel baking tray, 1 x combination grid, 1 x universal pan

- HEZ317000 Pizza pan, enamelled
- HEZ327000 Pizza stone
- HEZ333001 Lid for professional pan
- HEZ425000 Grill tray
- HEZ429001 Air Fry & Grill tray, anthracite
- HEZ431002 Baking tray, enamelled
- HEZ438201 2 level telescopic shelf rails
- HEZ438301 3 level telescopic shelf rails
- HEZ625071 Grill tray, anthracite
- HEZ915003 Glass roasting dish, 5,4 L

Gross weight: 41.7 kg
 Built-in / Free-standing: Built-in
 Integrated Cleaning system: Pyrolytic
 Min. required niche size for installation (HxWxD): 575-597 x 560-568 x 550 mm
 Dimensions: 595x594x548 mm
 Dimensions of the packed product (HxWxD): 670 x 660 x 680 mm
 Control Panel Material: Glass
 Door Material: Glass
 Net weight: 38.6 kg
 Usable volume of cavity: 63 l
 Cooking method: . Defrost, Hotair gentle, Hot Air, Conventional heat, Pizza setting, low temperature cooking, Bottom heat, Hot air grilling, Full width variable grill, warming
 Number of interior lights: 1
 Length electrical supply cord: 100.0 cm
 Interior Lights - cavity 1: 1
 Pull-out system: 1-level
 Included accessories: 1 x enamel baking tray, 1 x combination grid, 1 x universal pan
 Broil Element Wattages cavity 1: 2800 W
 Energy efficiency rating: A
 Energy consumption per cycle conventional (2010/30/EC): 0.93 kWh/cycle
 Energy consumption per cycle forced air convection (2010/30/EC): 77 kWh/cycle
 Energy efficiency index (2010/30/EC): 95.1 %
 Connection rating: 3250 W
 Fuse protection: 16 A
 Voltage: 220-240 V
 Frequency: 50-60 Hz
 Plug type: India plug (16 Ampere)
 Energy input: Electric
 Required cutout/niche size for installation (in): x
 Dimensions of the packed product: 26.37 x 25.98 x 26.77
 Net weight: 85.000 lbs
 Gross weight: 92.000 lbs
 Length electrical supply cord: 100.0 cm
 Net weight: 38.6 kg



Series 6, Built-in oven, 60 x 60 cm, Black HBJ577EB0I

Heating Functions

- Oven with 6 heating methods: Hot Air, Conventional heat, Hot air grilling, Pizza setting, bottom heat, Soft steaming, Defrost, Warming, Hotair gentle, Full width variable grill
- Temperature range 30 °C - 275 °C
- Cavity volume: 63 l

Hook-in racks / rails

- 1-level

Design

- Rotary control knob, 2 retractable control dials

Colour display: white

- Pyrolytic self-cleaning function
- Full-glass inner door

Comfort

- LED display control (red)
- electronic clock with LED display
- Automatic programmes, 30
- Oven door with Drop down door, soft closing
- Rapid heating-up
- Rapid heating-up: manual
- Integral cooling fan
- Bar handle

Accessories

- 1 x combination grid, 1 x enamel baking tray, 1 x universal pan

Connecting cable: 100 cm

- Child lock
- residual heat indicator

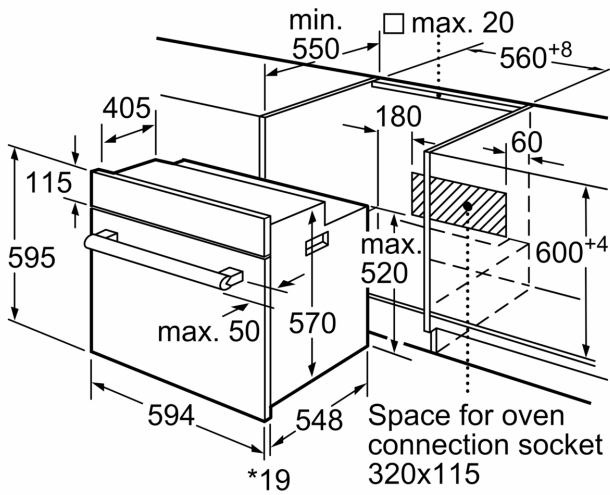
Technical Information

- Length of mains cable: 100 cm
- Nominal voltage: 220 - 240 V
- Total connected load electric: 3.25 KW
- Energy efficiency rating (acc. EU Nr. 65/2014): A(at a range of energy efficiency classes from A+++ to D)
- Energy consumption per cycle in conventional mode:0.93 kWh
- Energy consumption per cycle in fan-forced convection mode:0.77 kWh
- Number of cavities: 1 Heat source: electrical Cavity volume:63 l
- Energy efficiency rating (acc. EU Nr. 65/2014):A(at a range of energy efficiency classes from A+++ to D)
- Energy consumption per cycle in conventional mode:0.93 kWh
- Energy consumption per cycle in fan-forced convection mode:0.77 kWh
- Number of cavities: 1 Heat source: electrical Cavity volume:63 l

Dimensions:

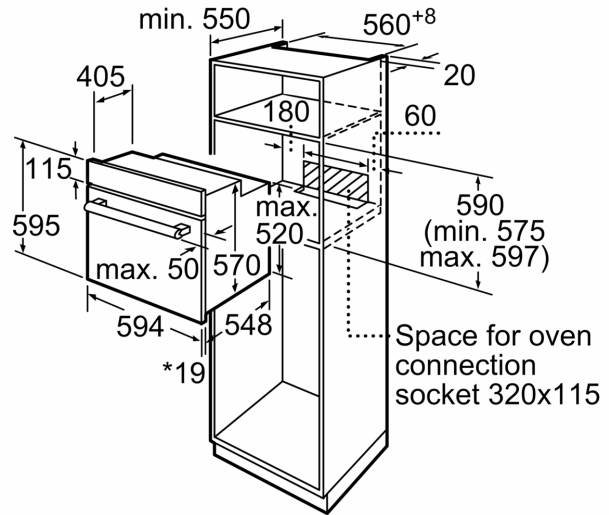
- Appliance dimension (hxwxh): 595 mm x 594 mm x 548 mm
- Required niche size for installation (HxWxD): 575 mm - 597 mm x 560 mm - 568 mm x 550 mm
- Please reference the built-in dimensions provided in the installation drawing

**Series 6, Built-in oven, 60 x 60 cm,
Black
HBJ577EB0I**



* 20 mm for metal fascias

measurements in mm



* 20 mm for metal fascias

measurements in mm



* 20 mm for metal fascias

Dimensions in mm