

**Series 4, Built-in oven, 60 x 60 cm,
Black
HBJ534EB01**



1 x enamel baking tray, 1 x combination grid, 1 x universal pan

- HEZ317000 Pizza pan, enamelled
- HEZ327000 Pizza stone
- HEZ425000 Grill tray
- HEZ429001 Air Fry & Grill tray, anthracite
- HEZ431002 Baking tray, enamelled
- HEZ438201 2 level telescopic shelf rails
- HEZ438301 3 level telescopic shelf rails
- HEZ625071 Grill tray, anthracite
- HEZ915003 Glass roasting dish, 5,4 L

The built-in oven with 3D hot air: achieve perfect baking and roasting results on up to three levels simultaneously.

- **Design and safety.**
- **Ideal for preparing of frozen pizza.**
- **3D Hotair: perfect results thanks to optimal distribution of heat on up to 3 levels simultaneously.**
- **LED display control, red: easy-to-use thanks to the time functions.**
- **Pop-out controls: for an easy to clean front.**

Gross weight: 34.4 kg
 Built-in / Free-standing: Built-in
 Integrated Cleaning system: activeKlean setting
 Min. required niche size for installation (HxWxD): 575-597 x 560-568 x 550 mm
 Dimensions: 595x594x548 mm
 Dimensions of the packed product (HxWxD): 665 x 640 x 680 mm
 Control Panel Material: Glass
 Door Material: Glass
 Net weight: 31.7 kg
 Usable volume of cavity: 66 l
 Cooking method: . Defrost, Hotair gentle, Hot Air, Conventional heat, Pizza setting, Bottom heat, Hot air grilling, Full width variable grill
 Number of interior lights: 1
 Length electrical supply cord: 100.0 cm
 Interior Lights - cavity 1: 1
 Pull-out system: 1-level
 Included accessories: 1 x enamel baking tray, 1 x combination grid, 1 x universal pan
 Broil Element Wattages cavity 1: 2800 W
 Energy efficiency rating: A
 Energy consumption per cycle conventional (2010/30/EC): 0.98 kWh/cycle
 Energy consumption per cycle forced air convection (2010/30/EC): 0.79 kWh/cycle
 Energy efficiency index (2010/30/EC): 95.2 %
 Connection rating: 3300 W
 Fuse protection: 16 A
 Voltage: 220-240 V
 Frequency: 50-60 Hz
 Plug type: India plug (16 Ampere)
 Energy input: Electric
 Required cutout/niche size for installation (in): x
 Dimensions of the packed product: 26.18 x 25.19 x 26.77
 Net weight: 70.000 lbs
 Gross weight: 76.000 lbs
 Length electrical supply cord: 100.0 cm
 Net weight: 31.7 kg



**Series 4, Built-in oven, 60 x 60 cm,
Black
HBJ534EB01**

- Please reference the built-in dimensions provided in the installation drawing
- Cavity inner surface: enamel anthracite

The built-in oven with 3D hot air: achieve perfect baking and roasting results on up to three levels simultaneously.

Heating Functions

- Oven with 6 heating methods: Hot Air, Conventional heat, Hot air grilling, Pizza setting, bottom heat, Defrost, Hotair gentle, Full width variable grill
- Temperature range 50 °C - 275 °C
- Cavity volume: 66 l

Hook-in racks / rails

- 1-level

Design

- Rotary control knob, 2 retractable control dials

Colour display: red

- Ecolyse features: back panel
- Full-glass inner door

Comfort

- LED display control (red)
- electronic clock with LED display
- Oven door with Drop down door, soft closing
- Rapid heating-up
- Rapid heating-up: manual
- Integral cooling fan
- Bar handle

Accessories

- 1 x combination grid, 1 x enamel baking tray, 1 x universal pan

Connecting cable: 100 cm

- Child lock

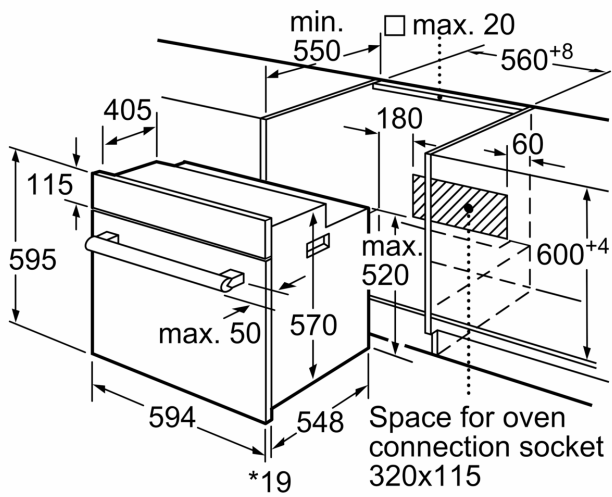
Technical Information

- Length of mains cable: 100 cm
- Nominal voltage: 220 - 240 V
- Total connected load electric: 3.3 KW
- Energy efficiency rating (acc. EU Nr. 65/2014): A(at a range of energy efficiency classes from A+++ to D)
- Energy consumption per cycle in conventional mode:0.98 kWh
- Energy consumption per cycle in fan-forced convection mode:0.79 kWh
- Number of cavities: 1 Heat source: electrical Cavity volume:66 l
- Energy efficiency rating (acc. EU Nr. 65/2014):A(at a range of energy efficiency classes from A+++ to D)
- Energy consumption per cycle in conventional mode:0.98 kWh
- Energy consumption per cycle in fan-forced convection mode:0.79 kWh
- Number of cavities: 1 Heat source: electrical Cavity volume:66 l

Dimensions:

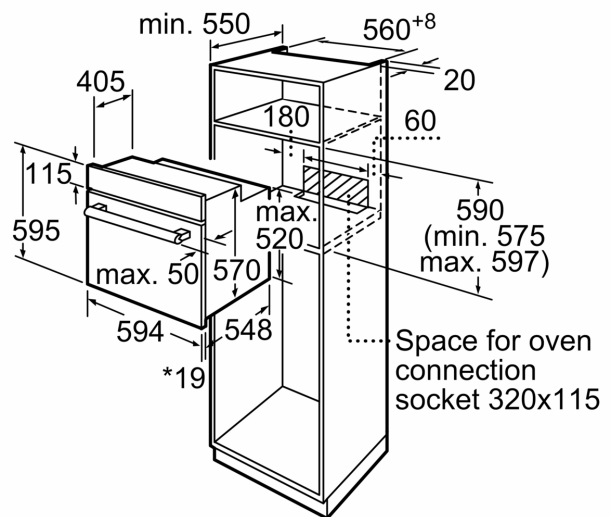
- Appliance dimension (hxwxd): 595 mm x 594 mm x 548 mm
- Required niche size for installation (HxWxD): 575 mm - 597 mm x 560 mm - 568 mm x 550 mm

**Series 4, Built-in oven, 60 x 60 cm,
Black
HBJ534EB0I**



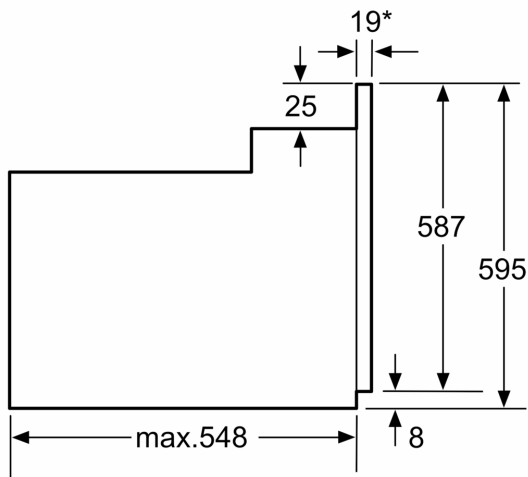
* 20 mm for metal fascias

measurements in mm



* 20 mm for metal fascias

measurements in mm



* 20 mm for metal fascias

Dimensions in mm