

**Series 8, Built-in oven, 60 x 60 cm,
Black
HBG7341B1**



- **Hotair Gentle:** saves energy while baking and roasting.
- **Air Fry Function:** for perfectly fried foods, such as vegetables and chips.
- **Cooking tips:** Access practical cooking advice via the Home Connect app.

1 x enamel baking tray, 1 x combination grid, 1 x universal pan

HEZ327000 Pizza stone, HEZ32WA00 Wireless food thermometer, HEZ530000 Half tray, HEZ531010 Baking tray, non-stick ceramic coated, HEZ532010 Universal pan, non-stick ceramic coated, HEZ538000 1fold telescopic rail, level independent, HEZ617000 Pizza pan, enamelled, HEZ629070 Air Fry & Grill tray, HEZ631070 Baking tray, enamelled, HEZ632070 Multipurpose pan, enamelled, HEZ633001 Lid for professional pan, enamelled, HEZ633070 Professional pan with grid, enamelled, HEZ633073 Professional pan, enamelled, HEZ634000 Baking and roasting grid, HEZ636000 Glass pan, HEZ638000 Full ext rails, level independent, HEZ660060 Strip, HEZ664000 Baking and roasting grid, steam, HEZ915003 Glass roasting dish, 5,4 L, HEZG0AS00 Connecting cable 3m

Gross weight: 36.7 kg
 Built-in / Free-standing: Built-in
 Integrated Cleaning system: activeKlean setting, Hydrolytic
 Min. required niche size for installation (HxWxD): 585-595 x 560-568 x 550 mm
 Dimensions: 595x594x548 mm
 Dimensions of the packed product (HxWxD): 670 x 670 x 680 mm
 Control Panel Material: Glass
 Door Material: Glass
 Net weight: 34.3 kg
 Usable volume of cavity: 71 l
 Cooking method: ..Defrost, Air fry, Full width grill, Hotair gentle, Hot Air, Half width grill, Conventional heat, Conventional heat gentle, Pizza setting, low temperature cooking, Bottom heat, Hot air grilling, pre-heating, warming
 Number of interior lights: 1
 Length electrical supply cord: 120.0 cm
 Interior Lights - cavity 1: 1
 Pull-out system: Accessory
 Included accessories: 1 x enamel baking tray, 1 x combination grid, 1 x universal pan
 Broil Element Wattages cavity 1:2800 W
 Convection Element Wattages cavity 1:2200 W
 Energy efficiency rating:A+
 Energy consumption per cycle conventional (2010/30/EC):0.87 kWh/cycle
 Energy consumption per cycle forced air convection (2010/30/EQ):69 kWh/cycle
 Energy efficiency index (2010/30/EC):81.2 %
 Connection rating: 3600 W
 Fuse protection:16 A
 Voltage: 220-240 V
 Frequency: 50; 60 Hz
 Plug type: Gardy plug w/ earthing
 Alternative colors available: HBG7341W1
 Energy input:Electric
 Required cutout/niche size for installation (in):x
 Dimensions of the packed product: 26.37 x 26.37 x 26.77
 Net weight:76.000 lbs
 Gross weight:81.000 lbs
 Length electrical supply cord: 120.0 cm
 Net weight:34.3 kg



Series 8, Built-in oven, 60 x 60 cm, Black HBG7341B1

Heating Functions

- Temperature range 30 °C - 300 °C
- Cavity volume: 71 l

Hook-in racks / rails

- Easy fit shelf support rails with electronic link

Design

- Cavity inner surface: enamel anthracite

Colour display: Full Color

- Ecolyse features: back panel
- hydrolyse program

Comfort

- LED display control (red)
- electronic clock with LED display
- Oven door with Drop down door, soft closing, soft opening
- Supporting systems: Dish categories
- Rapid heating-up
- Rapid heating-up: automatic
- Integral cooling fan
- HomeConnect ready on WLAN

Accessories

- 1 x enamel baking tray, 1 x combination grid, 1 x universal pan

Connecting cable: 120 cm

- Child lock
- Automatic safety switch off residual heat indicator Start-/Stop button door contact switch

Technical Information

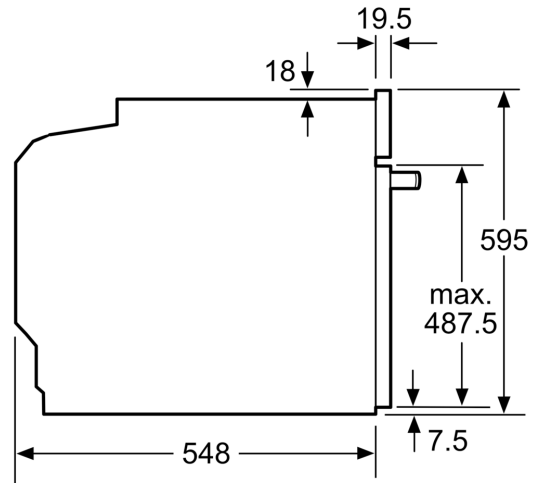
- Length of mains cable: 120 cm
- Nominal voltage: 220 - 240 V
- Total connected load electric: 3.6 KW
- Energy efficiency rating (acc. EU Nr. 65/2014): A+(at a range of energy efficiency classes from A+++ to D)
- Energy consumption per cycle in conventional mode:0.87 kWh
- Energy consumption per cycle in fan-forced convection mode:0.69 kWh
- Number of cavities: 1 Heat source: electrical Cavity volume:71 l
- Energy efficiency rating (acc. EU Nr. 65/2014):A+(at a range of energy efficiency classes from A+++ to D)
- Energy consumption per cycle in conventional mode:0.87 kWh
- Energy consumption per cycle in fan-forced convection mode:0.69 kWh
- Number of cavities: 1 Heat source: electrical Cavity volume:71 l

Dimensions:

- Appliance dimension (hxwxd): 595 mm x 594 mm x 548 mm
- Required niche size for installation (HxWxD): 585 mm - 595 mm x 560 mm - 568 mm x 550 mm
- Please reference the built-in dimensions provided in the installation drawing

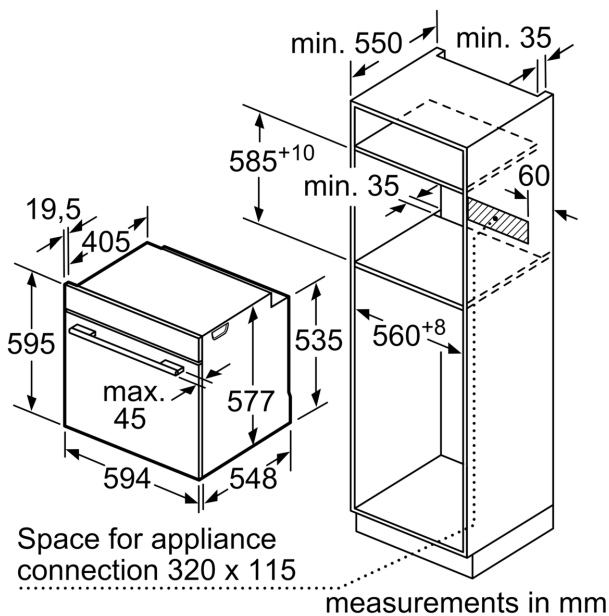
**Series 8, Built-in oven, 60 x 60 cm,
Black
HBG7341B1**

Installing two appliances on top of each other
other
Air exchange



A: Air inlet $\geq 200 \text{ cm}^2$

measurements in mm



If the appliance will be installed underneath a hob, the following worktop thicknesses (including substructure if necessary) must be taken into account.

Hob type	min. worktop thickness	
	fitted	flush
Induction hob	37 mm	38 mm
Full surface Induction hob	47 mm	48 mm
Gas hob	30 mm	38 mm
Electric hob	27 mm	30 mm

