

**Series 8, Built-in oven, 60 x 60 cm,
Black
HBG6764B6B**



1 x combination grid, 1 x universal pan

HEZ327000 Pizza stone, HEZ530000 Half tray, HEZ531010 Baking tray, non-stick ceramic coated, HEZ532010 Universal pan, non-stick ceramic coated, HEZ617000 Pizza pan, enamelled, HEZ625071 Grill tray, anthracite, HEZ631070 Baking tray, enamelled, HEZ632070 Multipurpose pan, enamelled, HEZ633001 Lid for professional pan, enamelled, HEZ633070 Professional pan, enamelled, HEZ634000 Baking and roasting grid, HEZ635000 Barbecue-Set, HEZ636000 Glass pan, HEZ638270 2 level telescopic rails, full ext,pyro, HEZ638370 3 level telescopic rails, full ext,pyro, HEZ660050 Cover Strip, HEZ664000 Baking and roasting grid, steam, HEZ915003 Glass roasting dish, 5,4 L

The built-in oven with PerfectBake and PerfectRoast: you get perfect baking and roasting results – automatically.

- **4D Hot Air:** even heat distribution for perfect results – on any level.
- **Pyrolytic self-cleaning:** Automatically cleans the oven, just wipe out the ash.
- **Flap door with SoftOpen and SoftClose:** the oven door opens and closes especially gently and quietly.

Gross weight: 41.3 kg
 Built-in / Free-standing: Built-in
 Integrated Cleaning system: Pyrolytic+Hydrolytic
 Min. required niche size for installation (HxWxD): 585-595 x 560-568 x 550 mm
 Dimensions: 595x594x548 mm
 Dimensions of the packed product (HxWxD): 670 x 670 x 680 mm
 Control Panel Material: Glass
 Door Material: Glass
 Net weight: 38.9 kg
 Usable volume of cavity: 71 l
 Cooking method:4D hot air, Defrost, Full width grill, Hot Air-Eco, Half width grill, Conventional heat, Conventional heat ECO, Pizza setting, low temperature cooking, Bottom heat, Hot air grilling, pre-heating, warming
 Number of interior lights: 1
 Length electrical supply cord: 120.0 cm
 Interior Lights - cavity 1: 1
 Pull-out system: 1-level
 Included accessories: 1 x combination grid, 1 x universal pan
 Broil Element Wattages cavity 1:2800 W
 Convection Element Wattages cavity 1:2200 W
 Energy efficiency rating:A+
 Energy consumption per cycle conventional (2010/30/EC):0.87 kWh/cycle
 Energy consumption per cycle forced air convection (2010/30/EQ):69 kWh/cycle
 Energy efficiency index (2010/30/EC):81.2 %
 Connection rating: 3600 W
 Fuse protection:16 A
 Voltage: 220-240 V
 Frequency: 50; 60 Hz
 Plug type: No plug
 Alternative colors available: HBG6764S6B
 Energy input:Electric
 Required cutout/niche size for installation (in):x
 Dimensions of the packed product: 26.37 x 26.37 x 26.77
 Net weight:86.000 lbs
 Gross weight: 91.000 lbs
 Length electrical supply cord: 120.0 cm
 Net weight: 38.9 kg



Series 8, Built-in oven, 60 x 60 cm, Black HBG6764B6B

The built-in oven with PerfectBake and PerfectRoast: you get perfect baking and roasting results – automatically.

Heating Functions

- Oven with 13 heating methods:
- 4D hot air
- Hot Air-Eco Conventional heat Conventional heat ECO Hot air grilling Full width grill Half width grill Pizza setting bottom heat Soft steaming Defrost Warming keep warm
- Temperature range 30 °C - 300 °C
- Cavity volume: 71 l

Design

- Serie8 / TFT Touch Display Control / Oven door with drop down door

Colour display: Full Color

- Black

Hook-in racks / rails

- Active clean solid rails

Comfort

- Pyrolytic self-cleaning function
- Supporting systems: Dish categories
- PerfectRoast multipoint temperature probe
- PerfectBake baking sensor
- electronic clock with LED display
- Rapid heating-up: automatic
- Integral cooling fan
- HomeConnect ready on WLAN
- 1-level, full extension, pyrolytic proof, Detend function
- Cavity inner surface: enamel anthracite
- Oven door with Drop down door, soft closing, soft opening

Accessories

- 1 x combination grid, 1 x universal pan

Connecting cable: 120 cm

- Electronic door lock
- Child lock Automatic safety switch off residual heat indicator Start-/Stop button door contact switch

Technical Information

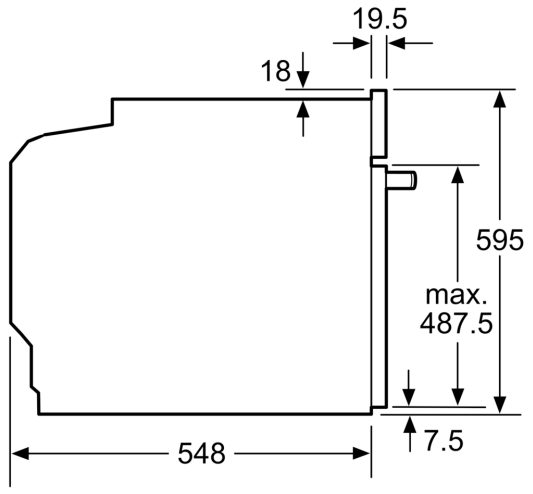
- Length of mains cable: 120 cm
- Nominal voltage: 220 - 240 V
- Total connected load electric: 3.6 KW
- Energy efficiency rating (acc. EU Nr. 65/2014): A+(at a range of energy efficiency classes from A+++ to D)
- Energy consumption per cycle in conventional mode: 0.87 kWh
- Energy consumption per cycle in fan-forced convection mode: 0.69 kWh
- Number of cavities: 1 Heat source: electrical Cavity volume: 71 l
- Energy efficiency rating (acc. EU Nr. 65/2014): A+(at a range of energy efficiency classes from A+++ to D)

- Energy consumption per cycle in conventional mode: 0.87 kWh
- Energy consumption per cycle in fan-forced convection mode: 0.69 kWh
- Number of cavities: 1 Heat source: electrical Cavity volume: 71 l

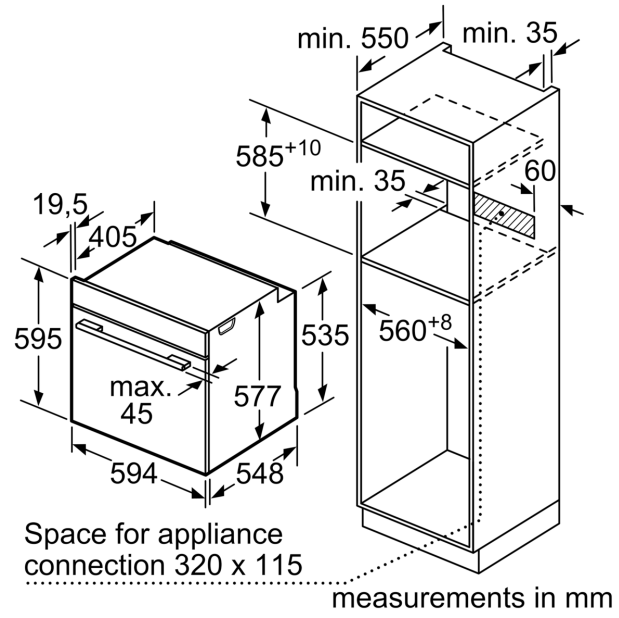
Dimensions:

- Appliance dimension (hxwx): 595 mm x 594 mm x 548 mm
- Required niche size for installation (HxWxD): 585 mm - 595 mm x 560 mm - 568 mm x 550 mm
- Please reference the built-in dimensions provided in the installation drawing

**Series 8, Built-in oven, 60 x 60 cm,
Black
HBG6764B6B**



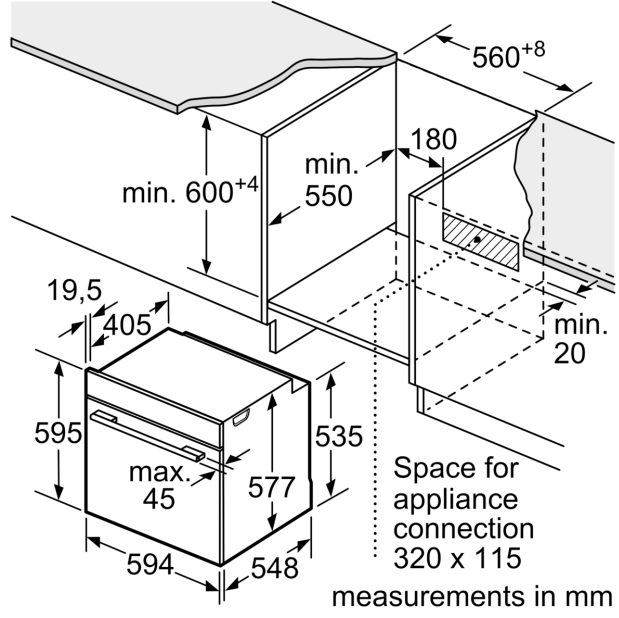
measurements in mm



measurements in mm

If the appliance will be installed underneath a hob, the following worktop thicknesses (including substructure if necessary) must be taken into account.

Hob type	min. worktop thickness	
	fitted	flush
Induction hob	37 mm	38 mm
Full surface Induction hob	47 mm	48 mm
Gas hob	30 mm	38 mm
Electric hob	27 mm	30 mm



measurements in mm