

**Series 2, Built-in oven, 60 x 60 cm,  
Stainless steel  
HBF133BR01**



**The built-in oven with 3D hot air: achieve perfect baking and roasting results on up to three levels simultaneously.**

- **Design and safety.**
- **3D Hotair: perfect results thanks to optimal distribution of heat on up to 3 levels simultaneously.**
- **LED display control, red: easy-to-use thanks to the time functions.**
- **EcoClean Direct: almost no cleaning is necessary thanks to a special coating of the rear wall that automatically absorbs grime.**
- **Hotair Gentle: saves energy while baking and roasting.**

1 x combination grid, 1 x universal pan

HEZ317000	Pizza pan, enamelled
HEZ327000	Pizza stone
HEZ431002	Baking tray, enamelled
HEZ438201	2 level telescopic shelf rails
HEZ438301	3 level telescopic shelf rails
HEZ625071	Grill tray, anthracite
HEZ915003	Glass roasting dish, 5,4 L

Gross weight: ..... 32.5 kg  
 Built-in / Free-standing: ..... Built-in  
 Integrated Cleaning system: ..... activeKlean setting, Hydrolytic  
 Min. required niche size for installation (HxWxD): 575-597 x 560-568 x 550 mm  
 Dimensions: ..... 595x594x548 mm  
 Dimensions of the packed product (HxWxD): ..... 670 x 660 x 688 mm  
 Control Panel Material: ..... Stainless steel  
 Door Material: ..... Glass  
 Net weight: ..... 29.8 kg  
 Usable volume of cavity: ..... 66 l  
 Cooking method: ... Hotair gentle, Hot Air, Conventional heat, Hot air grilling, Full width variable grill  
 First cavity material: ..... Other  
 Number of interior lights: ..... 1  
 Length electrical supply cord: ..... 100.0 cm  
 Interior Lights - cavity 1: ..... 1  
 Pull-out system: ..... Accessory  
 Included accessories: ..... 1 x combination grid, 1 x universal pan  
 Broil Element Wattages cavity 1: ..... 2800 W  
 Energy efficiency rating: ..... A  
 Energy consumption per cycle conventional (2010/30/EC): ..... 0.98 kWh/cycle  
 Energy consumption per cycle forced air convection (2010/30/EC): 79 kWh/cycle  
 Energy efficiency index (2010/30/EC): ..... 95.2 %  
 Connection rating: ..... 3300 W  
 Fuse protection: ..... 16 A  
 Voltage: ..... 220-240 V  
 Frequency: ..... 50-60 Hz  
 Plug type: ..... India plug (16 Ampere)  
 Energy input: ..... Electric  
 Required cutout/niche size for installation (in): ..... x  
 Dimensions of the packed product: ..... 26.37 x 25.98 x 27.08  
 Net weight: ..... 66.000 lbs  
 Gross weight: ..... 72.000 lbs  
 Length electrical supply cord: ..... 100.0 cm  
 Net weight: ..... 29.8 kg



## **Series 2, Built-in oven, 60 x 60 cm, Stainless steel HBF133BR01**

**The built-in oven with 3D hot air: achieve perfect baking and roasting results on up to three levels simultaneously.**

### **Heating Functions**

- Oven with 5 heating methods: Hot Air, Conventional heat, Hot air grilling, Hotair gentle, Full width variable grill
- Temperature range 50 °C - 275 °C
- Cavity volume: 66 l
- EcoLyse features: back panel
- hydrolyse program

### **Design**

- LED display control (red)
- electronic clock with LED display
- Rotary control knob
- Bar handle
- Oven door with Drop down door

### **Comfort**

- Rapid heating-up
- Full-glass inner door
- Rapid heating-up: manual
- Integral cooling fan
- Child lock
- Energy efficiency rating (acc. EU Nr. 65/2014): A(at a range of energy efficiency classes from A+++ to D)
- Energy consumption per cycle in conventional mode:0.98 kWh
- Energy consumption per cycle in fan-forced convection mode:0.79 kWh
- Number of cavities: 1 Heat source: electrical Cavity volume:66 l
- Energy efficiency rating (acc. EU Nr. 65/2014):A(at a range of energy efficiency classes from A+++ to D)
- Energy consumption per cycle in conventional mode:0.98 kWh
- Energy consumption per cycle in fan-forced convection mode:0.79 kWh
- Number of cavities: 1 Heat source: electrical Cavity volume:66 l

### **Accessories**

- 1 x combination grid, 1 x universal pan

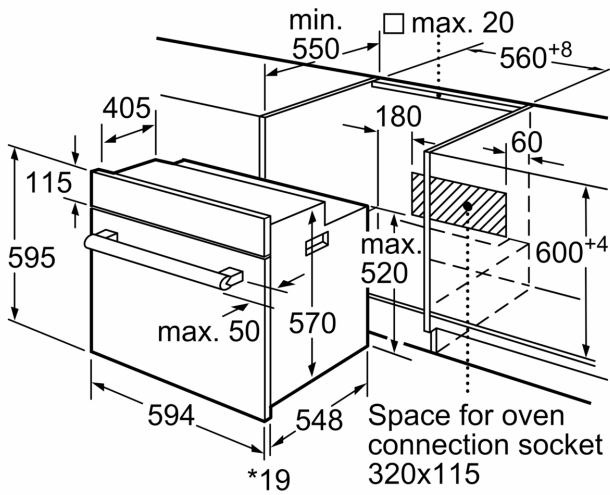
### **Technical Information**

- Length of mains cable: 100 cm
- Nominal voltage: 220 - 240 V
- Total connected load electric: 3.3 KW

### **Dimensions:**

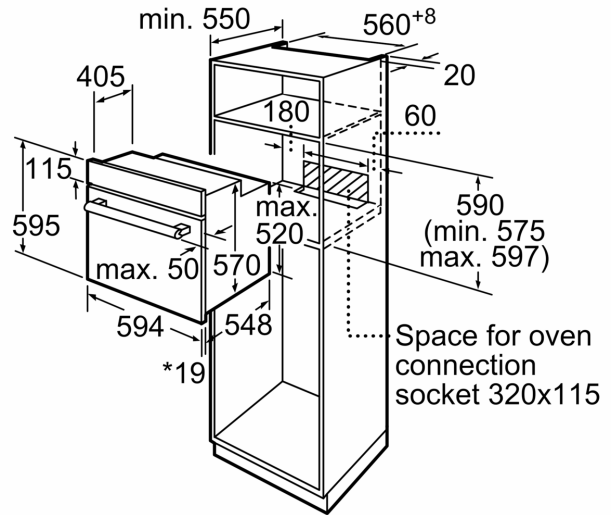
- Appliance dimension (hxwxd): 595 mm x 594 mm x 548 mm
- Required niche size for installation (HxWxD): 575 mm - 597 mm x 560 mm - 568 mm x 550 mm
- Please reference the built-in dimensions provided in the installation drawing

**Series 2, Built-in oven, 60 x 60 cm,  
Stainless steel  
HBF133BR0I**



\* 20 mm for metal fascias

measurements in mm



\* 20 mm for metal fascias

measurements in mm



\* 20 mm for metal fascias

Dimensions in mm