

**Series 2, Built-in oven, 60 x 60 cm,
Stainless steel
HBF113BR0Z**



The built-in oven with 3D hot air: achieve perfect baking and roasting results on up to three levels simultaneously.

- **LED display control, red:** easy-to-use thanks to the time functions.
- **Hotair Gentle:** saves energy while baking and roasting.
- **3D Hotair:** perfect results thanks to optimal distribution of heat on up to 3 levels simultaneously.

1 x combination grid, 1 x universal pan

HEZ317000	Pizza pan, enamelled
HEZ327000	Pizza stone
HEZ431002	Baking tray, enamelled
HEZ438201	2 level telescopic shelf rails
HEZ438301	3 level telescopic shelf rails
HEZ625071	Grill tray, anthracite
HEZ915003	Glass roasting dish, 5,4 L

Gross weight:	34.5 kg
Built-in / Free-standing:	Built-in
Integrated Cleaning system:	No
Min. required niche size for installation (HxWxD):	575-597 x 560-568 x 550 mm
Dimensions:	595 x 594 x 548 mm
Dimensions of the packed product (HxWxD):	655 x 650 x 680 mm
Control Panel Material:	Stainless steel
Door Material:	Glass
Net weight:	32.4 kg
Usable volume of cavity:	66 l
Cooking method:	... Hotair gentle, Hot Air, Conventional heat, Hot air grilling, Full width variable grill
Number of interior lights:	1
Length electrical supply cord:	100.0 cm
Interior Lights - cavity 1:	1
Pull-out system:	Accessory
Included accessories:	1 x combination grid, 1 x universal pan
Broil Element Wattages cavity 1:	2800 W
Energy efficiency rating:	A
Energy consumption per cycle conventional (2010/30/EC):	0.98 kWh/cycle
Energy consumption per cycle forced air convection (2010/30/EC):	0.79 kWh/cycle
Energy efficiency index (2010/30/EC):	95.2 %
Connection rating:	3300 W
Fuse protection:	13 A
Voltage:	220-240 V
Frequency:	50; 60 Hz
Plug type:	India plug (16 Ampere)
Energy input:	Electric
Required cutout/niche size for installation (in):	x
Dimensions of the packed product:	25.78 x 25.59 x 26.77
Net weight:	71.000 lbs
Gross weight:	76.000 lbs
Length electrical supply cord:	100.0 cm
Net weight:	32.4 kg



Series 2, Built-in oven, 60 x 60 cm, Stainless steel HBF113BR0Z

The built-in oven with 3D hot air: achieve perfect baking and roasting results on up to three levels simultaneously.

Heating Functions

- Oven with 5 heating methods: Hot Air, Conventional heat, Hot air grilling, Hotair gentle, Full width variable grill
- Temperature range 50 °C - 275 °C
- Cavity volume: 66 l

Design

- LED display control (red)
- electronic clock with LED display
- Rotary control knob
- Bar handle
- Oven door with Drop down door

Comfort

- Rapid heating-up
- Full-glass inner door
- Rapid heating-up: manual
- Integral cooling fan
- Child lock
- Energy efficiency rating (acc. EU Nr. 65/2014): A(at a range of energy efficiency classes from A+++ to D)
- Energy consumption per cycle in conventional mode:0.98 kWh
- Energy consumption per cycle in fan-forced convection mode:0.79 kWh
- Number of cavities: 1 Heat source: electrical Cavity volume:66 l
- Energy efficiency rating (acc. EU Nr. 65/2014):A(at a range of energy efficiency classes from A+++ to D)
- Energy consumption per cycle in conventional mode:0.98 kWh
- Energy consumption per cycle in fan-forced convection mode:0.79 kWh
- Number of cavities: 1 Heat source: electrical Cavity volume:66 l

Accessories

- 1 x combination grid, 1 x universal pan

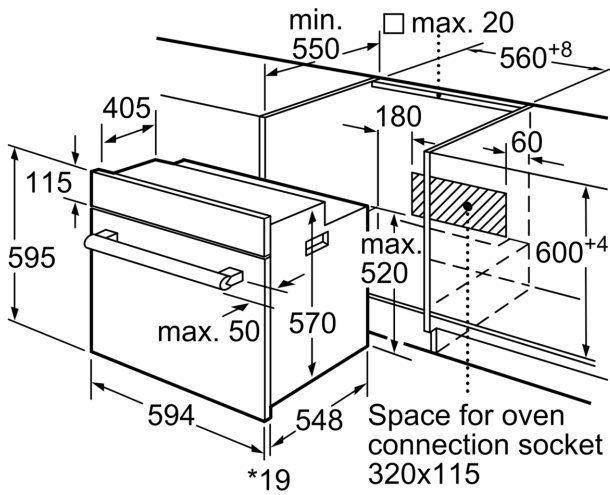
Technical Information

- Length of mains cable: 100 cm
- Nominal voltage: 220 - 240 V
- Total connected load electric: 3.3 KW

Dimensions:

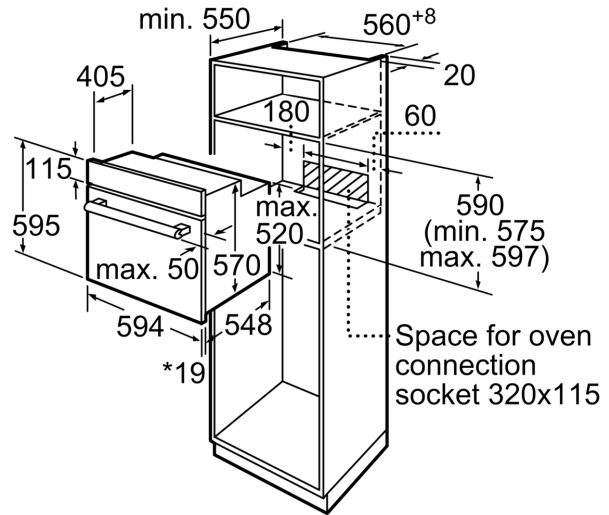
- Appliance dimension (hxwxh): 595 mm x 594 mm x 548 mm
- Required niche size for installation (HxWxD): 575 mm - 597 mm x 560 mm - 568 mm x 550 mm
- Please reference the built-in dimensions provided in the installation drawing

**Series 2, Built-in oven, 60 x 60 cm,
Stainless steel
HBF113BR0Z**



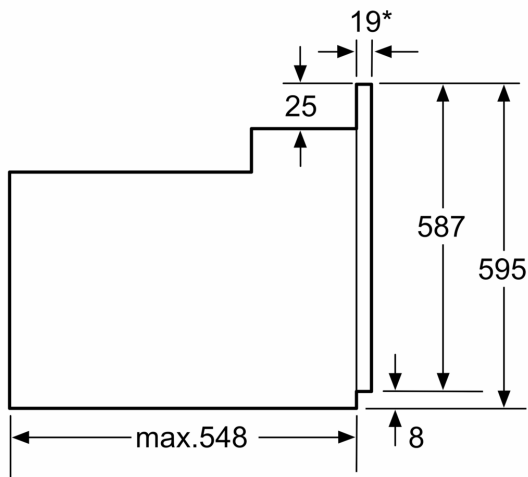
* 20 mm for metal fascias

measurements in mm



* 20 mm for metal fascias

measurements in mm



* 20 mm for metal fascias

Dimensions in mm