

**Series 2, Built-in oven, 60 x 60 cm,
Stainless steel
HBF011BR0Z**



The built-in oven with 3D hot air: achieve perfect baking and roasting results on up to three levels simultaneously.

- **Hotair Gentle:** saves energy while baking and roasting.
- **3D Hotair:** perfect results thanks to optimal distribution of heat on up to 3 levels simultaneously.

1 x combination grid, 1 x universal pan

- HEZ317000 Pizza pan, enamelled
- HEZ327000 Pizza stone
- HEZ333001 Lid for professional pan
- HEZ431002 Baking tray, enamelled
- HEZ625071 Grill tray, anthracite
- HEZ915003 Glass roasting dish, 5,4 L

Gross weight: 34.4 kg
 Built-in / Free-standing: Built-in
 Integrated Cleaning system: No
 Min. required niche size for installation (HxWxD): 575-597 x 560-568 x 550 mm
 Dimensions: 595 x 594 x 548 mm
 Dimensions of the packed product (HxWxD): 670 x 650 x 680 mm
 Control Panel Material: Stainless steel
 Door Material: Glass
 Net weight: 32.3 kg
 Usable volume of cavity: 66 l
 Cooking method: ... Hotair gentle, Hot Air, Conventional heat, Hot air grilling, Full width variable grill
 Number of interior lights: 1
 Length electrical supply cord: 100.0 cm
 Interior Lights - cavity 1: 1
 Pull-out system: Accessory
 Included accessories: 1 x combination grid, 1 x universal pan
 Broil Element Wattages cavity 1: 2800 W
 Energy efficiency rating: A
 Energy consumption per cycle conventional (2010/30/EC): 0.98 kWh/cycle
 Energy consumption per cycle forced air convection (2010/30/EC): 0.79 kWh/cycle
 Energy efficiency index (2010/30/EC): 95.2 %
 Connection rating: 3300 W
 Fuse protection: 16 A
 Voltage: 220-240 V
 Frequency: 50 Hz
 Plug type: India plug (16 Ampere)
 Energy input: Electric
 Required cutout/niche size for installation (in): x
 Dimensions of the packed product: 26.37 x 25.59 x 26.77
 Net weight: 71.000 lbs
 Gross weight: 76.000 lbs
 Length electrical supply cord: 100.0 cm
 Net weight: 32.3 kg



**Series 2, Built-in oven, 60 x 60 cm,
Stainless steel
HBF011BR0Z**

The built-in oven with 3D hot air: achieve perfect baking and roasting results on up to three levels simultaneously.

Heating Functions

- Oven with 5 heating methods: Hot Air, Conventional heat, Hot air grilling, Hotair gentle, Full width variable grill
- Temperature range 50 °C - 275 °C
- Cavity volume: 66 l

Design

- Rotary control knob
- Bar handle
- Full-glass inner door

Comfort

- Oven door with Drop down door
- Rapid heating-up
- Rapid heating-up: manual
- 1 x combination grid, 1 x universal pan
- Number of glass panes: 3 PC

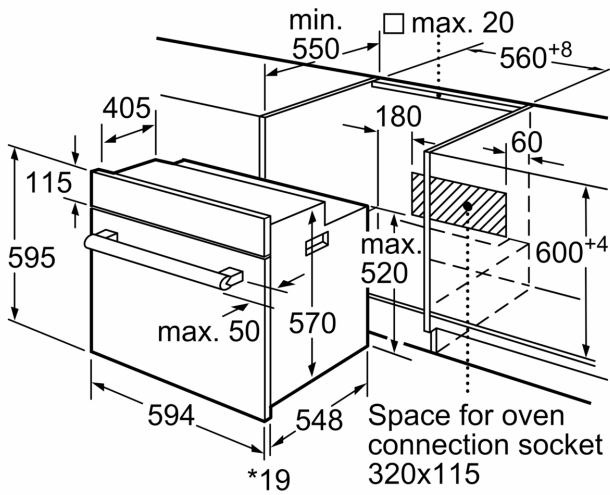
Technical Information

- Length of mains cable: 100 cm
- Nominal voltage: 220 - 240 V
- Total connected load electric: 3.3 KW

Dimensions:

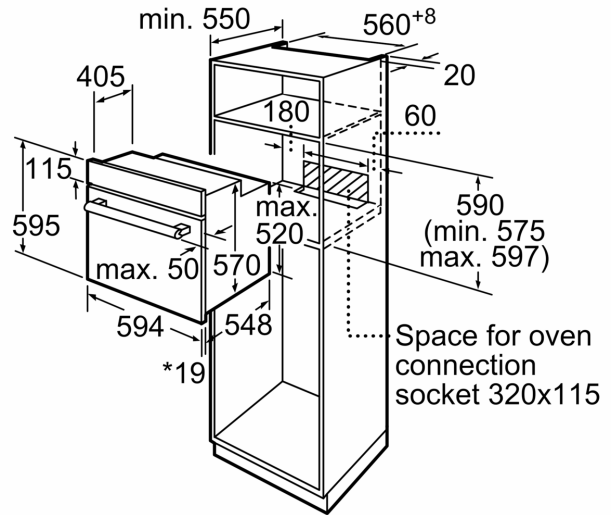
- Appliance dimension (hxwxd): 595 mm x 594 mm x 548 mm
- Required niche size for installation (HxWxD): 575 mm - 597 mm x 560 mm - 568 mm x 550 mm
- Please reference the built-in dimensions provided in the installation drawing

**Series 2, Built-in oven, 60 x 60 cm,
Stainless steel
HBF011BR0Z**



* 20 mm for metal fascias

measurements in mm



* 20 mm for metal fascias

measurements in mm



* 20 mm for metal fascias

Dimensions in mm