

**Series 4, Built-in oven, 60 x 60 cm,  
Stainless steel  
HBA534BS0Z**



1 x combination grid, 1 x universal pan

HEZ317000 Pizza pan, enamelled, HEZ327000 Pizza stone, HEZ333001 Lid for professional pan, HEZ530000 Half tray, HEZ531000 Baking tray, enamelled, HEZ531010 Baking tray, non-stick ceramic coated, HEZ532000 Multipurpose pan, enamelled, HEZ532010 Universal pan, non-stick ceramic coated, HEZ533000 Professional pan, enamelled, HEZ538000 1fold telescopic rail, level independent, HEZ538200 2 level telescopic shelf rails, HEZ538S00 3fold telescop rails, incl 1 level indep, HEZ625071 Grill tray, anthracite, HEZ633001 Lid for professional pan, enamelled, HEZ633070 Professional pan, enamelled, HEZ634000 Baking and roasting grid (standard), HEZ636000 Glass pan, HEZ638000 Full ext rails, level independent, HEZ638200 2 level telescopic shelf rails, full ext, HEZ638300 3 level telescopic rails, full ext, HEZ660050 Cover Strip, HEZ664000 Baking and roasting grid (steam), HEZ915003 Glass roasting dish, 5,4 L

**The built-in oven with 3D hot air: achieve perfect baking and roasting results on up to three levels simultaneously.**

- **LED display control, red:** easy-to-use thanks to the time functions.
- **Pop-out controls:** for an easy to clean front.
- **EcoClean Direct:** almost no cleaning is necessary thanks to a special coating of the rear wall that automatically absorbs grime.
- **Cleaning Assistance:** less cleaning effort thanks to the new cleaning option, which can be especially used for cleaning of light soiling.
- **Ideal for preparing of frozen pizza.**

Gross weight: ..... 33.0 kg  
 Built-in / Free-standing: ..... Built-in  
 Integrated Cleaning system: ..... activeKlean setting, Hydrolytic  
 Min. required niche size for installation (HxWxD): 585-595 x 560-568 x 550 mm  
 Dimensions: ..... 595 x 594 x 548 mm  
 Dimensions of the packed product (HxWxD): ..... 675 x 660 x 690 mm  
 Control Panel Material: ..... Stainless steel  
 Door Material: ..... Glass  
 Net weight: ..... 30.8 kg  
 Usable volume of cavity: ..... 71 l  
 Cooking method: Full width grill, Hotair gentle, Hot Air, Conventional heat, Pizza setting, Bottom heat, Hot air grilling  
 Number of interior lights: ..... 1  
 Length electrical supply cord: ..... 120.0 cm  
 Interior Lights - cavity 1: ..... 1  
 Pull-out system: ..... Accessory  
 Included accessories: ..... 1 x combination grid, 1 x universal pan  
 Broil Element Wattages cavity 1: ..... 2700 W  
 Convection Element Wattages cavity 1: ..... 2200 W  
 Energy efficiency rating: ..... A  
 Energy consumption per cycle conventional (2010/30/EC): ..... 0.97 kWh/cycle  
 Energy consumption per cycle forced air convection (2010/30/EC): 81 kWh/cycle  
 Energy efficiency index (2010/30/EC): ..... 95.3 %  
 Connection rating: ..... 3400 W  
 Fuse protection: ..... 16 A  
 Voltage: ..... 220-240 V  
 Frequency: ..... 50; 60 Hz  
 Plug type: ..... India plug (16 Ampere)  
 Energy input: ..... Electric  
 Required cutout/niche size for installation (in): ..... x  
 Dimensions of the packed product: ..... 26.57 x 25.98 x 27.16  
 Net weight: ..... 68.000 lbs  
 Gross weight: ..... 73.000 lbs  
 Length electrical supply cord: ..... 120.0 cm  
 Net weight: ..... 30.8 kg



**Series 4, Built-in oven, 60 x 60 cm,  
Stainless steel  
HBA534BS0Z**

**The built-in oven with 3D hot air: achieve perfect baking and roasting results on up to three levels simultaneously.**

---

**Heating Functions**

- Oven with 7 heating methods: Hot Air, Conventional heat, Hot air grilling, Full width grill, Pizza setting, bottom heat, Hotair gentle
- Temperature range 50 °C - 275 °C
- Cavity volume: 71 l

**Design**

- Rotary control knob, 2 retractable control dials
- Full-glass inner door
- Oven door with Drop down door
- Bar handle

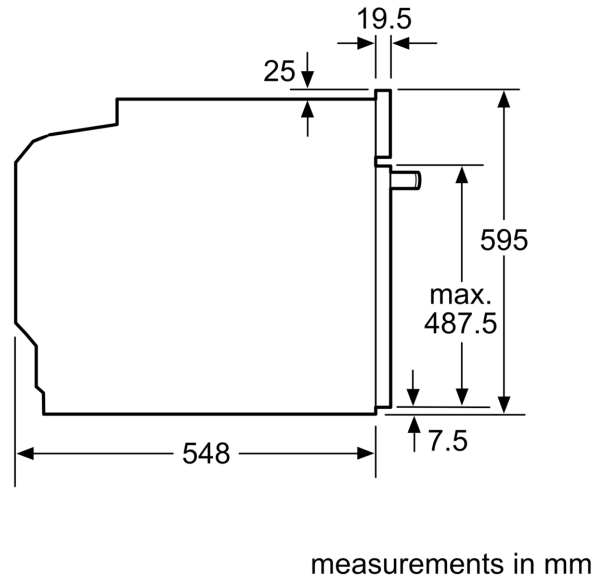
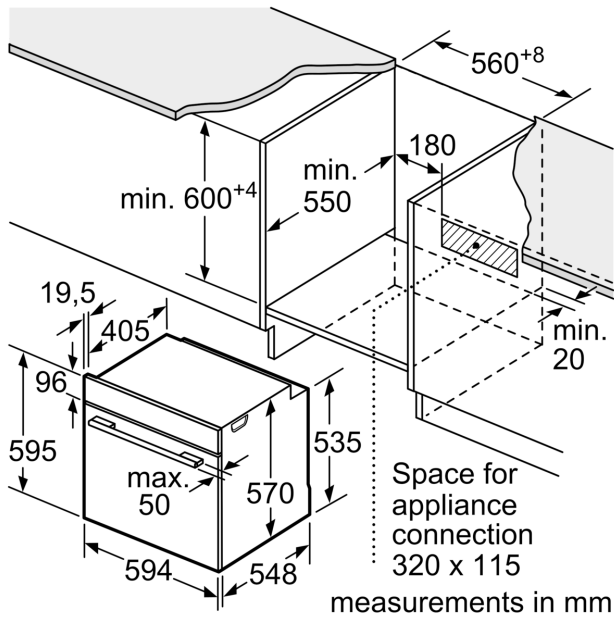
**Comfort**

- EcoLyse features: back panel
- electronic clock with LED display
- Rapid heating-up
- Rapid heating-up: manual
- Child lock
- Integral cooling fan
- 1 x combination grid, 1 x universal pan

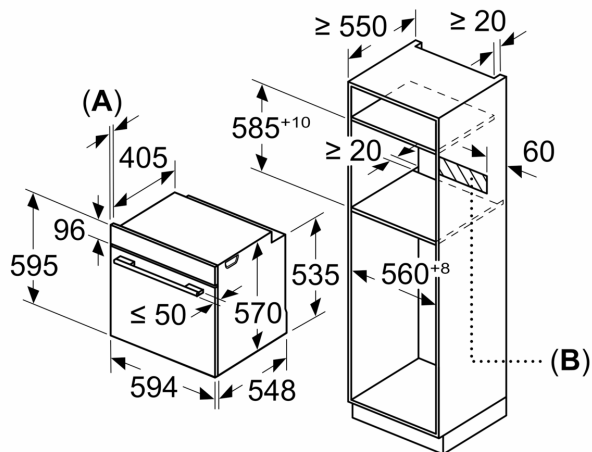
**Technical Information**

- Appliance dimension (hxwxd): 595 mm x 594 mm x 548 mm
- Required niche size for installation (HxWxD): 585 mm - 595 mm x 560 mm - 568 mm x 550 mm
- Plug type: India plug (16 Ampere)
- Length of main cable: 120 cm
- Total connected load electric: 3.4 KW

**Series 4, Built-in oven, 60 x 60 cm,  
Stainless steel  
HBA534BS0Z**



Measurements in mm



**A:** 19.5 mm

**B:** Space for appliance connection 320 x 115 mm