

**Series 4, wall-mounted cooker hood,
90 cm, Flat black
DWKA98H60I**



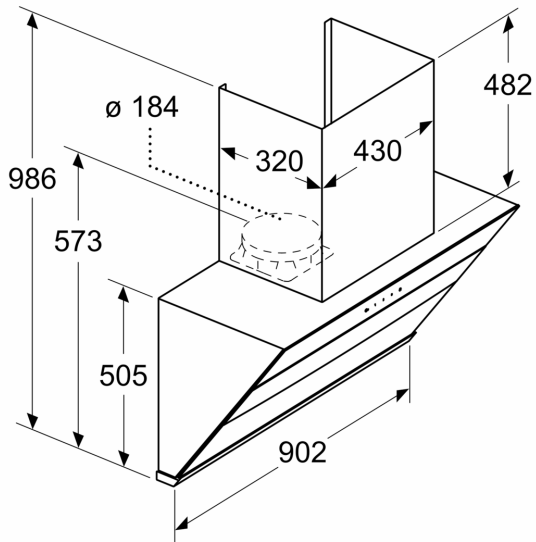
DWZ3OK6N1 Inner duct cover 330 mm

Typology:Wall-mounted
 Height of product, without chimney: 505 mm
 Net weight: 26.0 kg
 Type of control:Electronic
 Number of speed settings: 3-stages + intensive setting
 Max. air extraction: 750 m³/h
 Number of lights: 1
 Noise level: 64 dB(A) re 1pW
 Diameter of air outlet: 180 mm
 Odour filter: No
 Operating Mode: Air extraction only
 Optional accessories: DWZ3OK6N1
 Type of lamps used: LED
 Total power of the lamps: 3 W
 Grease filter type: Multilayer
 Voltage: 230 V
 Frequency: 50 Hz
 Plug type: India plug (6 Ampere)
 Installation typology:Wall-mounted
 Material body: Stainless steel, Glass
 Plug type: India plug (6 Ampere)
 Dimensions of the product, with chimney (if exists) (in):x x
 Dimensions of the packed product: 20.86 x 24.01 x 39.96
 Net weight: 57.000 lbs
 Gross weight: 71.000 lbs
 Motor location: Integrated motor in hood chimney
 No-return airflow flap: Yes
 Dimensions of the product, with chimney (if exists):505 x 900.0 x 415.0 mm
 Dimensions of the packed product (HxWxD): ... 530 x 610 x 1015 mm
 Net weight: 26.0 kg
 Gross weight: 32.0 kg
 Delay Shut off modes: 10 min

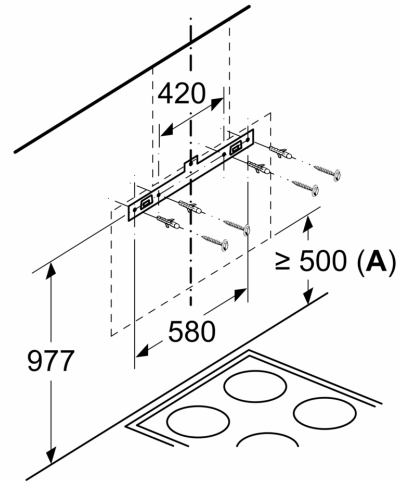


**Series 4, wall-mounted cooker hood,
90 cm, Flat black
DWKA98H60I**

Measurements in mm

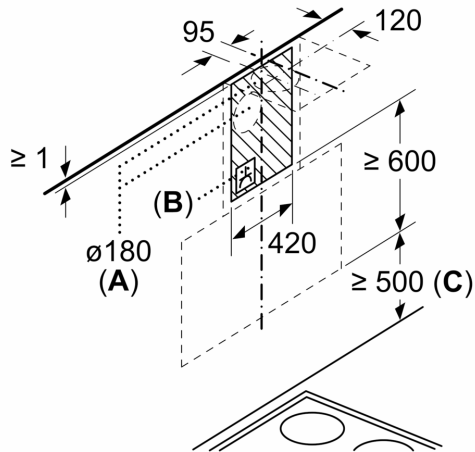


Measurements in mm



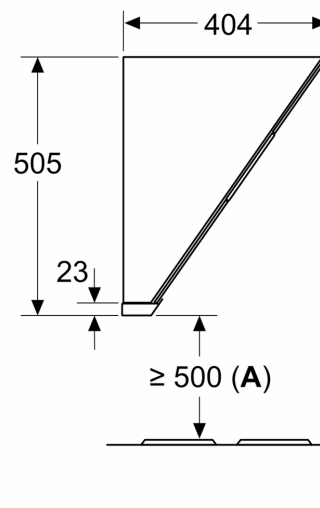
A: From upper edge of pan support

Measurements in mm



A: Exhaust-air outlet
B: Socket
C: From upper edge of pan support

Measurements in mm



A: From upper edge of pan support