

**Series 4, wall-mounted cooker hood,  
90 cm, Black  
DWKA98G60I**



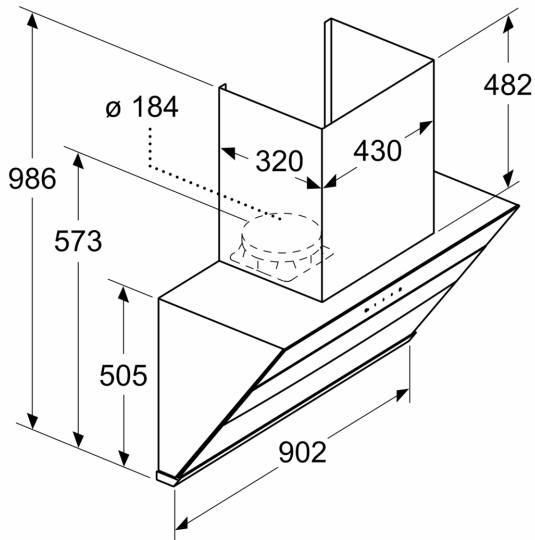
DWZ3OK6N1 Inner duct cover 330 mm

Typology: .....Wall-mounted  
 Length electrical supply cord: ..... 180.0 cm  
 Height of product, without chimney: ..... 505 mm  
 Net weight: ..... 26.0 kg  
 Type of control: .....Electronic  
 Number of speed settings: ..... 3-stages + intensive setting  
 Max. air extraction: .....800 m<sup>3</sup>/h  
 Number of lights: ..... 1  
 Noise level: .....63 dB(A) re 1pW  
 Diameter of air outlet: ..... 180 mm  
 Odour filter: ..... No  
 Operating Mode: ..... Air extraction only  
 Optional accessories: ..... DWZ3OK6N1  
 Type of lamps used: ..... LED  
 Total power of the lamps: ..... 3 W  
 Grease filter type: ..... Multilayer  
 Voltage: ..... 230 V  
 Frequency: ..... 50 Hz  
 Plug type: ..... India plug (6 Ampere)  
 Installation typology: .....Wall-mounted  
 Material body: ..... Stainless steel, Glass  
 Plug type: ..... India plug (6 Ampere)  
 Dimensions of the product, with chimney (if exists) (in): .....x x  
 Dimensions of the packed product: ..... 20.86 x 24.01 x 39.96  
 Net weight: ..... 57.000 lbs  
 Gross weight: ..... 71.000 lbs  
 Motor location: .....Integrated motor in hood chimney  
 No-return airflow flap: ..... Yes  
 Length electrical supply cord: ..... 180.0 cm  
 Dimensions of the product, with chimney (if exists): ....505 x 900.0 x 415.0 mm  
 Dimensions of the packed product (HxWxD): ... 530 x 610 x 1015 mm  
 Net weight: ..... 26.0 kg  
 Gross weight: ..... 32.0 kg  
 Delay Shut off modes: ..... 10 min

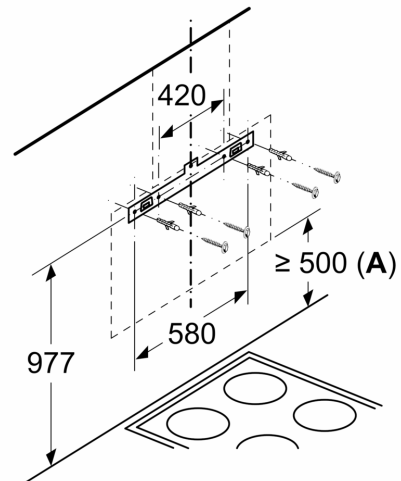


**Series 4, wall-mounted cooker hood,  
90 cm, Black  
DWKA98G60I**

Measurements in mm

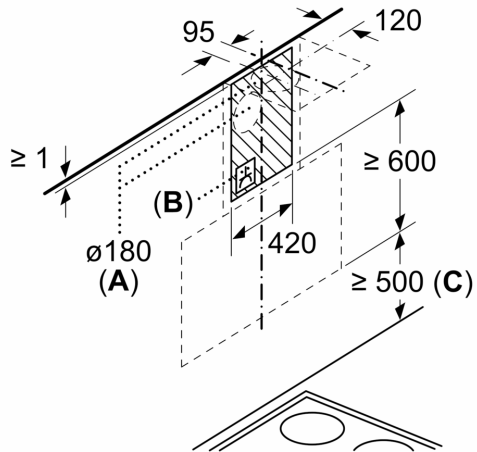


Measurements in mm



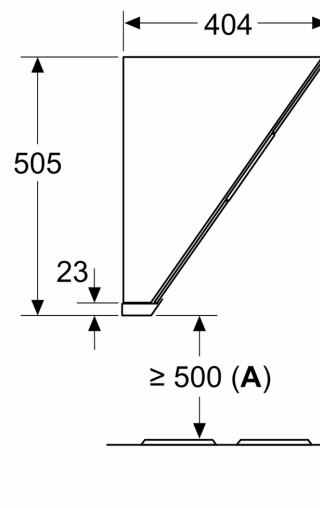
A: From upper edge of pan support

Measurements in mm



**A:** Exhaust-air outlet  
**B:** Socket  
**C:** From upper edge of pan support

Measurements in mm



A: From upper edge of pan support