

**Series 8, wall-mounted cooker hood,
90 cm, clear glass white printed
DWK98PR20I**



**The wall-mounted chimney hood: mount it
on the wall, giving you complete freedom
in your kitchen planning.**

- **PerfectAir sensor:** enjoy quieter, odour-free cooking.
- **Extra quiet:** maximum extractor performance with minimal noise.
- **Easy-to-clean interior:** hidden screws and cables along with rounded edges make cleaning easy.
- **For fast and effective extraction, the intensive speed setting removes strong kitchen odours quickly and effectively.**

- DWZ0AK0R0 Long Life recirculation kit (chimless)
- DWZ0AK0S0 Long Life recirculation kit
- DWZ0AX5K0 Chimney extension 1000 mm
- DWZ0AX5L0 Chimney extension 1500 mm
- DWZ1AK1B6 Clean Air Plus odor filter (replacement)
- DWZ1AK1I6 Clean Air Plus recirculation kit
- DWZ1AK1V6 Clean Air Plus recirc. kit (chimless)
- DWZ1AX5C6 Clean Air Plus recirc. kit external
- DZZ0XX0P0 Long Life odor filter (replacement)
- DZZ1XX1B6 Clean Air Plus odor filter (replacement)

Typology:Wall-mounted
 Length electrical supply cord: 130.0 cm
 Height of product, without chimney: 323 mm
 Net weight: 26.4 kg
 Type of control:Electronic
 Number of speed settings:3-stage + 2 intensive
 Max. air extraction:468 m³/h
 Boost position output recirculating:460 m³/h
 Max. air recirculation: 378 m³/h
 Boost position air extraction: 837 m³/h
 Number of lights: 2
 Noise level:55 dB(A) re 1pW
 Diameter of air outlet: 120 / 150 mm
 Grease filter material:Washable aluminium
 Odour filter: No
 Operating Mode: Convertible
 Optional accessories: DWZ0AK0R0, DWZ0AK0S0, DWZ0AX5K0,
 DWZ0AX5L0, DWZ1AK1B6, DWZ1AK1I6, DWZ1AK1V6, DWZ1AX5C6,
 DZZ0XX0P0, DZZ1XX1B6
 Type of lamps used: LED
 Grease filter type: Multilayer cassette
 Connection rating: 166 W
 Fuse protection:10 A
 Voltage: 220-240 V
 Frequency: 50; 60 Hz
 Plug type: India plug (10 Ampere)
 Installation typology:Wall-mounted
 Material body:Glass, Lacquered
 Plug type: India plug (10 Ampere)
 Dimensions of the product, with chimney (if exists) (in):x x
 Dimensions of the packed product: 27.16 x 29.13 x 40.94
 Net weight:58.000 lbs
 Gross weight: 77.000 lbs
 Motor location: Integrated motor in hood body
 No-return airflow flap: Yes
 Length electrical supply cord: 130.0 cm
 Dimensions of the product, with chimney (if exists):480 x 894.0 x
 548.0 mm
 Dimensions of the packed product (HxWxD): ... 690 x 740 x 1040 mm
 Net weight:26.4 kg
 Gross weight: 35.1 kg
 Delay Shut off modes: 10 min



Series 8, wall-mounted cooker hood, 90 cm, clear glass white printed DWK98PR20I

**The wall-mounted chimney hood: mount it
on the wall, giving you complete freedom
in your kitchen planning.**

Variant

- DWK98PR20I white
- Wall mounted hood
- Inclined glass brand design

Design

- white Inclined glass brand design
- Touch control with lightline
- Steel filter cover, dishwasher safe

Technical information

- 3 speeds plus 2 intensive
- Maximum extraction power 488 m³/h (freeblowing)
- 2 x LM5-01_LED_3W
- Suitable for ducted or recirculating operation only
- Recirculation kit or clean air kit

Comfort

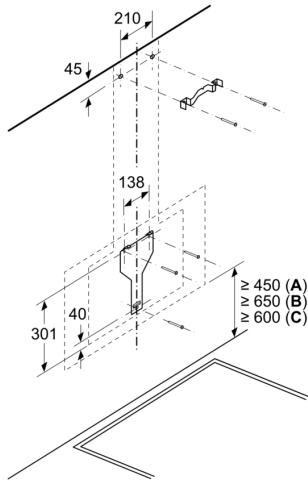
- Noise min./max. Normal Level: 43/55 dB
- Light Intensity: 519 lux
- Colour Temperature: 3500 K

Dimensions:

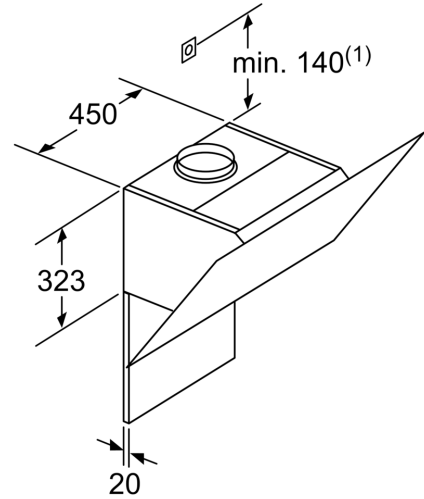
- 90 cm white Inclined glass brand design hood
- Dimensions exhaust air (HxWxD): 957-1227 x 894 x 548 mm
- Dimensions recirculating (HxWxD): 1017-1287 x 894 x 548 mm
- Diameter pipe Ø 150 mm (Ø 120 mm enclosed)

**Series 8, wall-mounted cooker hood,
90 cm, clear glass white printed
DWK98PR20I**

Measurements in mm



- A: Electric
- B: Gas - from upper edge of pan support
- C: Electric - for Australia and New Zealand

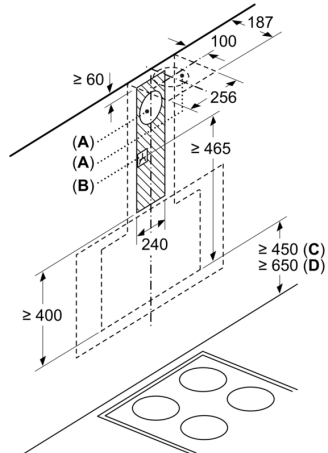


(1) Position of socket

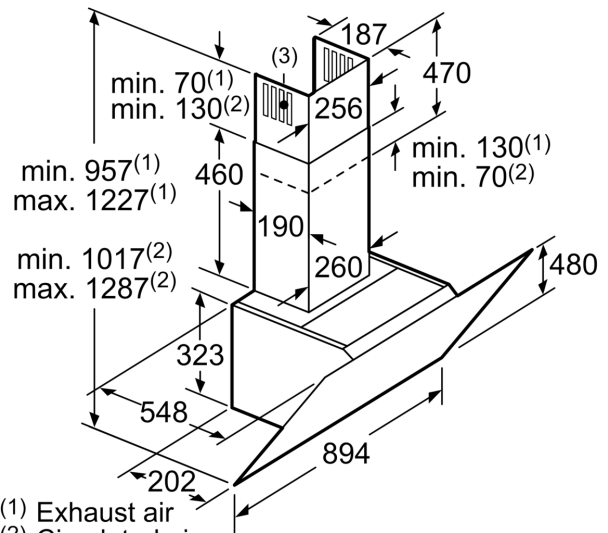
Note the maximum thickness of the back panel.

measurements in mm

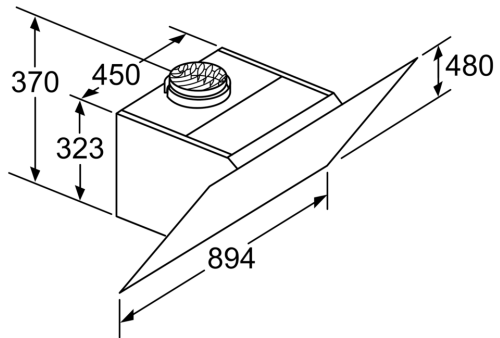
Measurements in mm



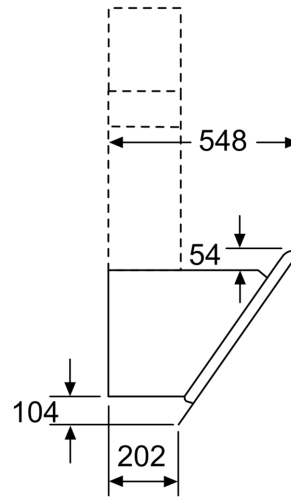
- A: Exhaust air
 - B: Socket
- From upper edge of pan support
- C: Electric
 - D: Gas



- (1) Exhaust air
 - (2) Circulated air
 - (3) Air outlet – slot for exhaust air to be mounted facing down
- measurements in mm



Appliance in circulated air mode
without duct
Circulated air set required
measurements in mm



measurements in mm