

**Series 4, wall-mounted cooker hood,  
90 cm, Stainless Steel  
DWB97DM50I**



DZZ0XX0P0 Long Life odor filter (replacement), DZZ1XX1B6 Clean Air Plus odor filter (replacement), DWZ0XX0J0 Long Life recirculation kit, DWZ1DX1B4 Clean Air Standard odor filter (repl.), DWZ1DX1I4 Clean Air Standard recirculation kit, DWZ1DX1I6 Clean Air Plus recirculation kit, DWZ1FX5C6 Clean Air Plus recirc. kit external, DWZ1FX5D1 Long Life recirculation kit external, DHZ9550 Brushed steel back panel, DHZ9551 Brushed steel back panel, DWZ0DX0A0 Standard odor filter (replacement), DWZ0DX0U0 Standard recirculation kit, DHZ1225 Chimney extension 1000 mm, DHZ1235 Chimney extension 1500 mm

**Box-design hood: performance and  
matching kitchen design bundled in one  
hood.**

Typology: .....Wall-mounted  
 Length electrical supply cord: ..... 130.0 cm  
 Height of the chimney: ..... 583-912/583-1022 mm  
 Height of product, without chimney: ..... 53 mm  
 Net weight: ..... 13.7 kg  
 Type of control: .....Electronic  
 Number of speed settings: ..... 3-stages + intensive setting  
 Max. air extraction: .....454 m<sup>3</sup>/h  
 Boost position output recirculating: .....499 m<sup>3</sup>/h  
 Max. air recirculation: ..... 404 m<sup>3</sup>/h  
 Boost position air extraction: ..... 739 m<sup>3</sup>/h  
 Number of lights: ..... 2  
 Noise level: .....65 dB(A) re 1 pW  
 Diameter of air outlet: ..... 150 / 120 mm  
 Grease filter material: ..... Washable stainless steel  
 Odour filter: ..... No  
 Operating Mode: ..... Convertible  
 Optional accessories: ..... DZZ0XX0P0, DZZ1XX1B6, DWZ0XX0J0, DWZ1DX1B4, DWZ1DX1I4, DWZ1DX1I6, DWZ1FX5C6, DWZ1FX5D1, DHZ9550, DHZ9551, DWZ0DX0A0, DWZ0DX0U0, DHZ1225, DHZ1235  
 Type of lamps used: ..... LED  
 Grease filter type: ..... Multilayer cassette  
 Connection rating: ..... 255 W  
 Fuse protection: .....10 A  
 Voltage: ..... 220-240 V  
 Frequency: ..... 50; 60 Hz  
 Plug type: ..... India plug (6 Ampere)  
 Installation typology: .....Wall-mounted  
 Material body: ..... Stainless steel  
 Plug type: ..... India plug (6 Ampere)  
 Dimensions of the product, with chimney (if exists) (in): .....x x  
 Dimensions of the packed product: ..... 19.29 x 25.59 x 40.55  
 Net weight: .....30.000 lbs  
 Gross weight: ..... 42.000 lbs  
 Motor location: ..... Integrated motor in hood chimney  
 No-return airflow flap: ..... No  
 Length electrical supply cord: ..... 130.0 cm  
 Dimensions of the product, with chimney (if exists): .635-1075 MM x 900.0 x 500.0 mm  
 Dimensions of the packed product (HxWxD): ... 490 x 650 x 1030 mm  
 Net weight: ..... 13.7 kg  
 Gross weight: ..... 19.1 kg



## Series 4, wall-mounted cooker hood, 90 cm, Stainless Steel DWB97DM50I

### Box-design hood: performance and matching kitchen design bundled in one hood.

---

#### Design

- 90 cm Wall-mounted Hood, stainless steel
- Wall mounted hood
- Box design
- Appliance colour: stainless steel
- Touch control

#### Performance

- Noise level from to 52 dB to 77 dB
- 4 fan speed settings (three plus intense) via Touch control

#### Comfort

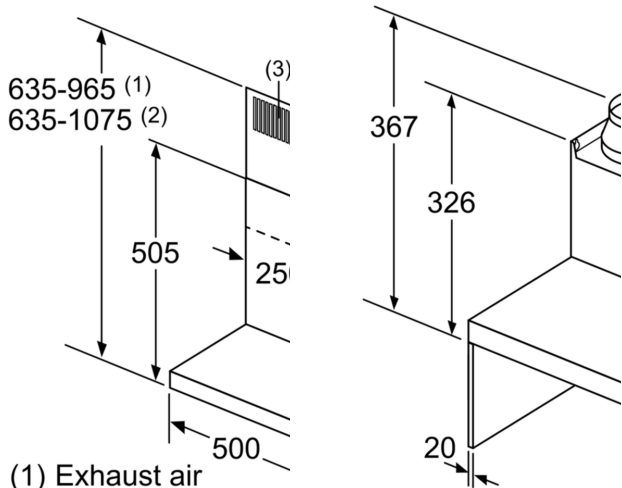
- 2 x 1.5W LED
- Light Intensity: 214 lux
- Colour Temperature: 3500 K
- Steel filter cover, dishwasher safe
- Energy Efficiency Class: B
- Average Energy Consumption: 62.5 kWh/year\*
- Blower Efficiency Class: B\*
- Lighting Efficiency Class: A\*
- Grease Filtering Efficiency Class: B\*

#### Technical Information

- Suitable for ducted or recirculating operation only
- Diameter pipe Ø 150 mm (Ø 120 mm enclosed)
- Dimensions exhaust air (HxWxD): 635-965 x 900 x 500 mm
- Dimensions recirculating (HxWxD): 635-1075 x 900 x 500 mm
- Dimensions recirculating with CleanAir module (HxWxD):
  - 703 x 900 x 500mm - mounting with outer chimney
  - 833-1163 x 900 x 500 mm - mounting with telescopic chimney
- Dimensions recirculating with cleanAir module (HxWxD);
  - 703 x 900 x 500mm - mounting with outer chimney
  - 833-1163 x 900 x 500 mm - mounting with telescopic chimney
- Dimensions recirculating with CleanAir module (HxWxD):
  - 703 x 900 x 500mm - mounting with outer chimney
  - 833-1163 x 900 x 500 mm - mounting with telescopic chimney
- Total Connected load: 255 W
- Connecting cable 130 cm

\* In accordance with the EU-Regulation No 65/2014

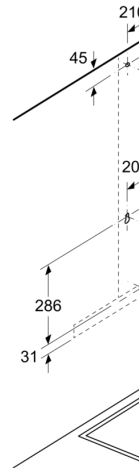
**Series 4, wall-mounted cooker hood,  
90 cm, Stainless Steel  
DWB97DM50I**



- (1) Exhaust air
- (2) Circulated air
- (3) Air outlet – slots for to be mounted face

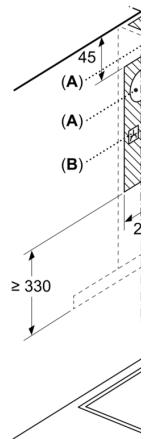
If a back panel is used the design of the appliance must be considered.

Measurements in mm



- A: Electric
- B: Gas - from upper part
- C: Electric - for Australia

Measurements in mm



- A: Exhaust air outlet
- B: Socket
- C: Electric
- D: Gas - from upper part
- E: Electric - for Australia