

Serie | 2
**I Wall Hood I DWB068D50I
60 cm Wall-mounted Stainless
steel Hood**


With its sleek design and brushed stainless steel finish - this hood combines performance with style.

- **Size:** Smart size 60 cm wide for compact cooking zones.
- **Extraction rate:** Impressive power with 705 qmh ensures effective air extraction.
- **Illumination:** LED lighting is highly energy efficient and provides attractive, white and even lighting for the hob area.
- **Filtration system:** Heavy duty stainless steel Baffle filters with high efficiency grease absorption.

Technical Data

Color chimney :	Stainless steel
Typology :	Chimney
Height of product, without chimney (mm) :	340
Net weight (kg) :	12.042
Type of control :	mechanical
Number of speed settings :	3-stage
Maximum output recirculating air (m3/h) :	575
Number of lights :	2
Diameter of air outlet (mm) :	150 / 120
Grease filter material :	Washable stainless steel
Odour filter :	No
Operating Mode :	Convertible
Optional accessories :	DHZ5467, DHZ5477, DHZ5640
Total power of the lamps (W) :	1
Voltage (V) :	230
Frequency (Hz) :	50
Plug type :	India plug (6 Ampere)
Installation typology :	Wall-mounted
Material body :	Stainless steel
Plug type :	India plug (6 Ampere)
Dimensions of the product, with chimney (if exists) (in) :	/ x x
Dimensions of the packed product (in) :	25.19 x 15.94 x 26.37
Net weight (lbs) :	27
Gross weight (lbs) :	38
Motor location :	Integrated motor in hood chimney
No-return airflow flap :	No
Dimensions of the product, with chimney (if exists) (mm) :	644 x 600 x 490
Dimensions of the packed product (HxWxD) (mm) :	640 x 405 x 670
Net weight (kg) :	12.042
Gross weight (kg) :	17.0



Serie | 2 Hoods

I Wall Hood I DWB068D50I 60 cm Wall-mounted Stainless steel Hood

With its sleek design and brushed stainless steel finish - this hood combines performance with style.

Design

- Box design for wall mounting
- Brushed stainless steel
- Chromed Push buttons
- Chromed logo strip on the chimney
- Mechanical with 1x indicator LED

Key Functions

- Maximum extraction rate according to EN 61591: 705 m³/h
- Maximum blower performance: 745 m³/h (freeblowing)
- 3 fan speed settings

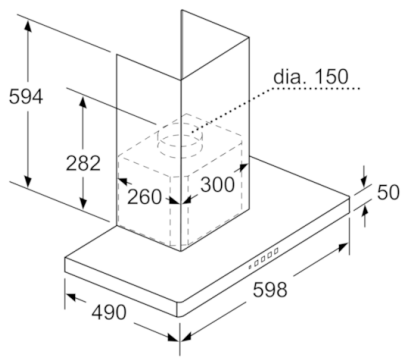
Comfort

- 2 x 2 W LED lighting
- Double-layered, high grade stainless steel baffle filters
- Quiet operations at 73 dB (re 1 pW) at speed setting 3

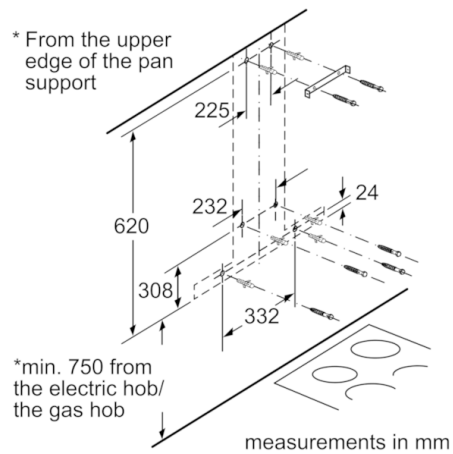
Technical Information

- For wall mounting only
- Ducted operation only
- Dimensions of the product, with chimney (if exists)
(HxWxD mm): 644 x 600 x 490
- Minimum clearance to gas/electric cook top: 750 mm
- Length electrical supply cord: 110 cm
- Ducting connection: 150mm/120mm diameter

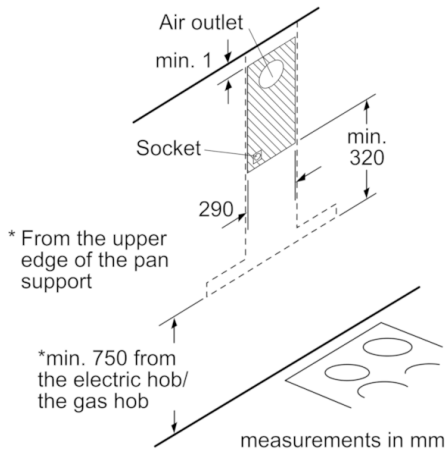
** In accordance with the EU-Regulation No 65/2014*

Serie | 2 Hoods
I Wall Hood I DWB068D50I
60 cm Wall-mounted Stainless steel Hood


measurements in mm



measurements in mm



measurements in mm