

**Series 6, Built-in compact microwave  
with steam function, 60 x 45 cm,  
Stainless steel  
COA565GS0I**



1 x Plug-in grid, 1 x glass pan, 1 x Steam container

HEZ915003 Glass roasting dish, 5,4 L

**The built-in microwave with steam  
function: prepare your dishes by saving  
time, steaming or re-heating.**

Additional function: ..... MW only  
 Type of control: ..... Electronic  
 Dimensions: ..... 455 x 594 x 545 mm  
 Cavity dimensions: ..... 236.0 x 432.0 x 350 mm  
 Length electrical supply cord: ..... 150.0 cm  
 Net weight: ..... 31.8 kg  
 Gross weight: ..... 35.5 kg  
 Max. microwave power level: ..... 1000 W  
 Number of Power Levels: ..... 5  
 Turntable: ..... No  
 Cavity material: ..... Stainless steel  
 Door opening: ..... Handle  
 Clock: ..... Yes  
 Included accessories: ..... 1 x Plug-in grid, 1 x glass pan, 1 x Steam container  
 Height of the appliance: ..... 455 mm  
 Width of the appliance: ..... 594 mm  
 Depth of the product: ..... 545 mm  
 Max. microwave power level: ..... 1000 W  
 Connection rating: ..... 3100 W  
 Fuse protection: ..... 16 A  
 Voltage: ..... 220-240 V  
 Frequency: ..... 50 Hz  
 Plug type: ..... India plug (16 Ampere)  
 Required cutout/niche size for installation (in): ..... x  
 Dimensions of the packed product: ..... 22.63 x 25.78 x 25.98  
 Net weight: ..... 70.000 lbs  
 Gross weight: ..... 78.000 lbs



## **Series 6, Built-in compact microwave with steam function, 60 x 45 cm, Stainless steel COA565GS01**

**The built-in microwave with steam  
function: prepare your dishes by saving  
time, steaming or re-heating.**

### **Heating modes**

- Built-in Microwave with steam function with the heating functions: microwave, Steam, Full width grill, Half width grill
- Max. Power: 1000 W; 5 Microwave power settings: 90 W, 180 W, 360 W, 600 W, 1000 W
- Intelligent inverter technology: maximum output power will be regulated to 600 W when used in longer operation
- Grill 2 KW
- Grill and microwave power levels 90 W, 180 W, 360 W, 600 W combinable
- All heating functions to be used separately or in combination
- Three different steam levels available
- 4 defrost and 11 cooking programmes
- Cavity volume: 36 l

### **Design**

- stainless steel cavity
- Rotary control knob, 2 retractable control dials, Touch Control
- Bar handle
- LCD

### **Comfort**

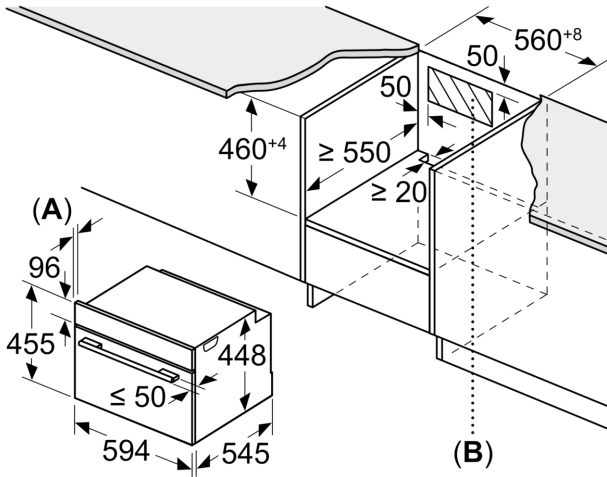
- cleaning program of water pipe
- Automatic programmes, 15
- Descaling programme
- electronic clock
- Rapid heating-up
- Water tank capacity 0.8 l
- Location of the steam generator is outside of the cavity
- Automatic water tank detection
- Child lock
- Automatic safety switch off Start-/Stop button door contact switch
- Max. time setting (MW): 90 min
- Integral cooling fan
- 1 x Steam container, 1 x Plug-in grid, 1 x glass pan

### **Technical Information**

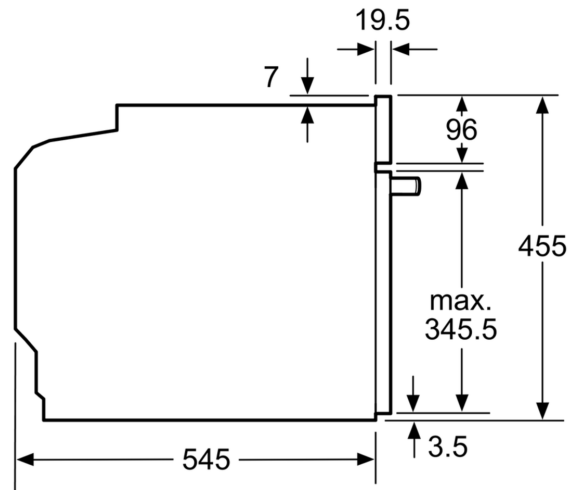
- Appliance dimension (hxwxd): 455 mm x 594 mm x 545 mm
- Required niche size for installation (HxWxD): 450 mm - 452 mm x 560 mm - 568 mm x 550 mm
- Length of mains cable: 150 cm
- Total connected load electric: 3.1 KW
- Nominal voltage: 220 - 240 V
- Please reference the built-in dimensions provided in the installation drawing

**Series 6, Built-in compact microwave  
with steam function, 60 x 45 cm,  
Stainless steel  
COA565GS01**

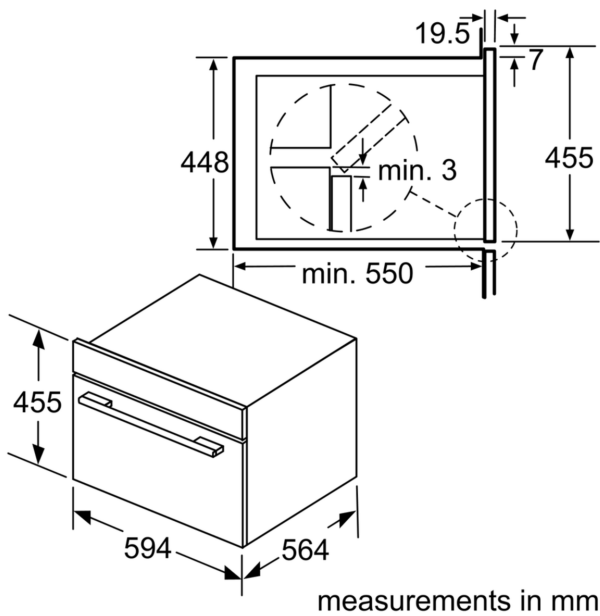
measurements in mm



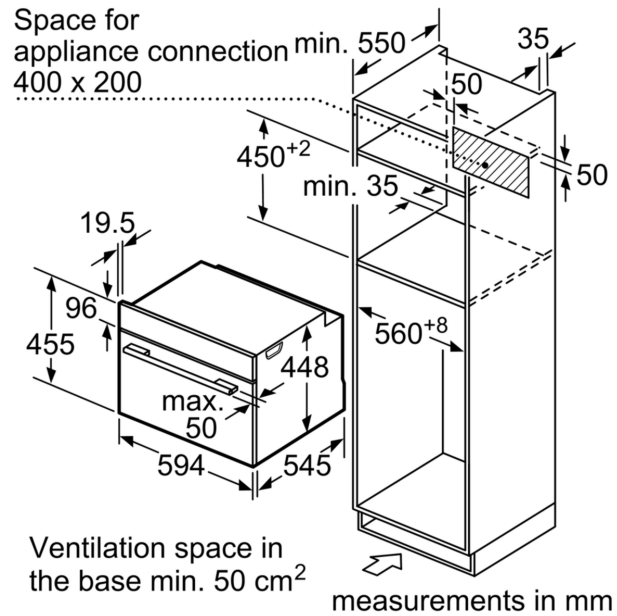
**A:** 19.5  
**B:** Space for appliance connection 400 x 200



measurements in mm



measurements in mm



measurements in mm