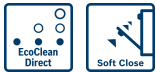


**Series 8, Built-in compact oven with microwave function, 60 x 45 cm, Black
CMG636BB2I**



- **EcoClean Direct:** almost no cleaning is necessary thanks to a special coating of the rear wall that automatically absorbs grime.
- **Flap door with SoftOpen and SoftClose:** the oven door opens and closes especially gently and quietly.
- **Convection Cooking Delivers Oven-Like Results**

| | |
|---|---|
| Additional function: | MW-Combi |
| Type of control: | Electronic |
| Dimensions: | 455x594x548 mm |
| Cavity dimensions: | 237.0 x 480 x 392.0 mm |
| Length electrical supply cord: | 120.0 cm |
| Net weight: | 35.3 kg |
| Gross weight: | 37.6 kg |
| Max. microwave power level: | 900 W |
| Number of Power Levels: | 5 |
| Turntable: | No |
| Cavity material: | Enamelled |
| Door opening: | Handle |
| Clock: | Yes |
| Included accessories: | 1 x combination grid, 1 x universal pan |
| Height of the appliance: | 455 mm |
| Width of the appliance: | 594 mm |
| Depth of the product: | 548 mm |
| Max. microwave power level: | 900 W |
| Connection rating: | 3600 W |
| Fuse protection: | 16 A |
| Voltage: | 220-240 V |
| Frequency: | 50; 60 Hz |
| Plug type: | India plug (16 Ampere) |
| Required cutout/niche size for installation (in): | x |
| Dimensions of the packed product: | 20.86 x 26.37 x 26.77 |
| Net weight: | 78.000 lbs |
| Gross weight: | 83.000 lbs |

1 x combination grid, 1 x universal pan

HEZ327000 Pizza stone, HEZ530000 Half tray, HEZ531010 Baking tray, non-stick ceramic coated, HEZ532010 Universal pan, non-stick ceramic coated, HEZ617000 Pizza pan, enamelled, HEZ625071 Grill tray, anthracite, HEZ631070 Baking tray, enamelled, HEZ632070 Multipurpose pan, enamelled, HEZ634080 Baking and roasting grid, microwave, HEZ636000 Glass pan, HEZ660050 Cover Strip, HEZ660060 Strip, HEZ664000 Baking and roasting grid, steam, HEZ915003 Glass roasting dish, 5,4 L



Series 8, Built-in compact oven with microwave function, 60 x 45 cm, Black CMG636BB2I

- Built-in Compact oven with microwave, black
- CMG636BB2I

Heating Functions

- Compact oven with microwave with 12 heating methods:
 - 4D hot air
 - Hot Air-Eco Conventional heat Conventional heat ECO Hot air grilling Full width grill Half width grill Pizza setting bottom heat Soft steaming Warming keep warm
- Additional heating methods with microwave: microwave, combi microwave variable
- Intelligent inverter technology: maximum output power will be regulated to 600 W when used in longer operation
- Cavity volume: 45 l

Design

- LED display control (red)
- electronic clock with LED display
- Oven door with Drop down door, soft closing, soft opening

Comfort

- EcoLyse features: back panel
- Supporting systems: Dish categories
- Rapid heating-up
- Rapid heating-up: automatic
- Integral cooling fan
- Child lock
- Automatic safety switch off residual heat indicator Start-/Stop button door contact switch

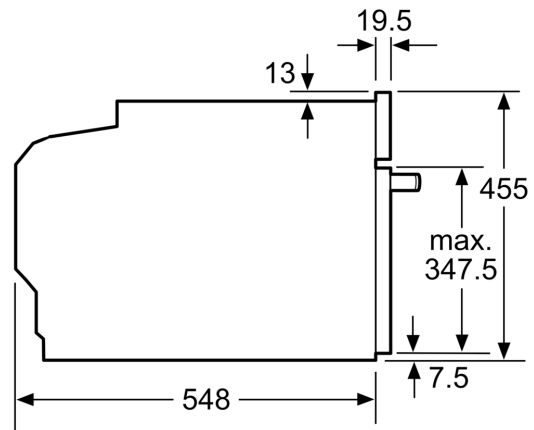
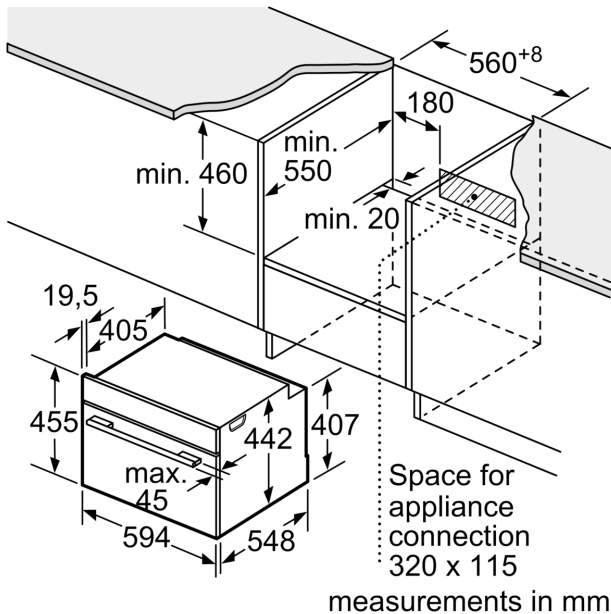
Accessories

- 1 x combination grid, 1 x universal pan

Technical Information

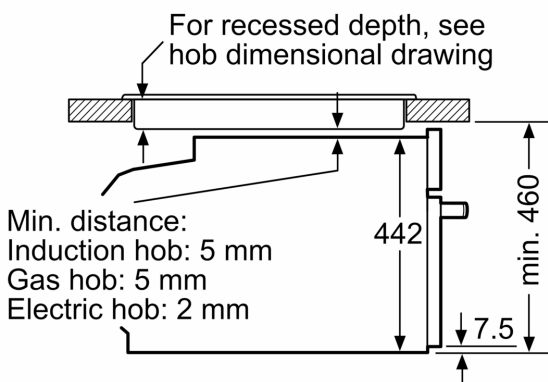
- Appliance dimension (hxwxd): 455 mm x 594 mm x 548 mm
- Required niche size for installation (HxWxD): 450 mm - 455 mm x 560 mm - 568 mm x 550 mm
- Nominal voltage: 220 - 240 V
- Total connected load electric: 3.6 KW
- Please reference the built-in dimensions provided in the installation drawing

**Series 8, Built-in compact oven with
microwave function, 60 x 45 cm,
Black
CMG636BB2I**



Installation with a hob.

If the compact appliance will be installed underneath a hob, the following worktop thicknesses (including substructure if necessary) must be taken into account.



| Hob type | min. worktop thickness | |
|----------------------------|------------------------|-------|
| | fitted | flush |
| Induction hob | 42 mm | 43 mm |
| Full surface Induction hob | 52 mm | 53 mm |
| Gas hob | 32 mm | 43 mm |
| Electric hob | 32 mm | 35 mm |