

**Series 6, Built-in microwave oven with hot air, 60 x 45 cm, Black CMA585MB01**



- **Pop-out controls:** for an easy to clean front.
- **Stainless steel interior:** easy to clean interior thanks to smooth surfaces and no sharp edges.
- **LED-light:** perfect illumination of foods with minimum energy consumption.
- **Cleaning Assistance:** less cleaning effort thanks to the new cleaning option, which can be especially used for cleaning of light soiling.

1 x grid high, 1 x grid flat, 1 x Turntable

- HEZ317000 Pizza pan, enamelled
- HEZ86D000 Steamer Cooker Accessory for Microwave
- HEZ915003 Glass roasting dish, 5,4 L

Additional function: ..... MW-Combi  
 Type of control: .....Electronic  
 Dimensions: ..... 454x594x570 mm  
 Cavity dimensions: ..... 220 x 420 x 420 mm  
 Length electrical supply cord: ..... 180.0 cm  
 Net weight: ..... 36.2 kg  
 Gross weight: ..... 40.8 kg  
 Max. microwave power level: ..... 900 W  
 Number of Power Levels: ..... 5  
 Turntable: ..... Yes  
 Cavity material: ..... Stainless steel  
 Door opening: ..... Handle  
 Clock: ..... Yes  
 Included accessories: ..... 1 x grid high, 1 x grid flat, 1 x Turntable  
 Height of the appliance: ..... 454 mm  
 Width of the appliance: ..... 594 mm  
 Depth of the product: ..... 570 mm  
 Max. microwave power level: ..... 900 W  
 Connection rating: ..... 3350 W  
 Fuse protection: ..... 16 A  
 Voltage: ..... 220-230 V  
 Frequency: ..... 50-60 Hz  
 Plug type: ..... India plug (16 Ampere)  
 Required cutout/niche size for installation (in): ..... x  
 Dimensions of the packed product: ..... 21.65 x 26.37 x 27.55  
 Net weight: ..... 80.000 lbs  
 Gross weight: ..... 90.000 lbs



## **Series 6, Built-in microwave oven with hot air, 60 x 45 cm, Black CMA585MB01**

---

### **Heating modes**

- Built-in Microwave with hot air function with the heating functions: microwave, Hot Air Standard, Hot air grilling, Full width grill, Pizza setting
- Max. Power: 900 W; 5 Microwave power settings: 90 W, 180 W, 360 W, 600 W, 900 W
- Grill 1.75 KW
- Grill and microwave power levels 90 W, 180 W, 360 W, 600 W combinable
- Microwave to be used separately or in combination
- Cavity volume: 44 l

### **Design**

- stainless steel cavity

### **Colour display: white**

### **Comfort**

- LCD
- electronic clock
- Rotary control knob, 2 retractable control dials, Touch Control
- Appliance dimensions (H x W x D): 45.4 cm x 59.4 cm x 57 cm
- Automatic programmes, 15
- 4 defrost and 3 cooking programmes in microwave function, 8 programmes for combination function
- Rapid heating-up
- Rapid heating-up: yes
- Metal Turntable diameter 36 cm
- Electronic functions :
- Automatic programmes
- Oven door with Drop down door

### **Accessories**

- 1 x grid high, 1 x grid flat, 1 x Turntable

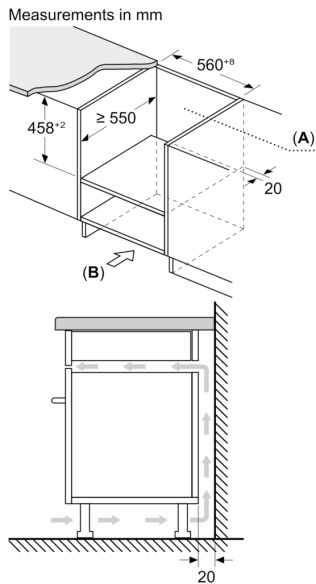
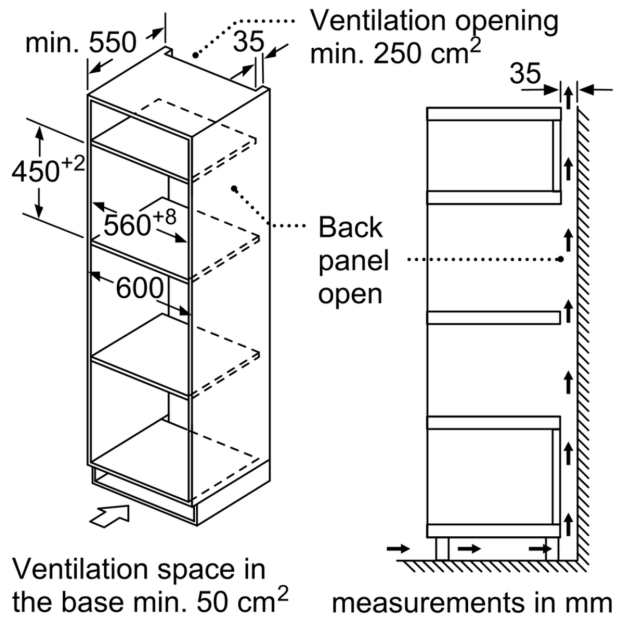
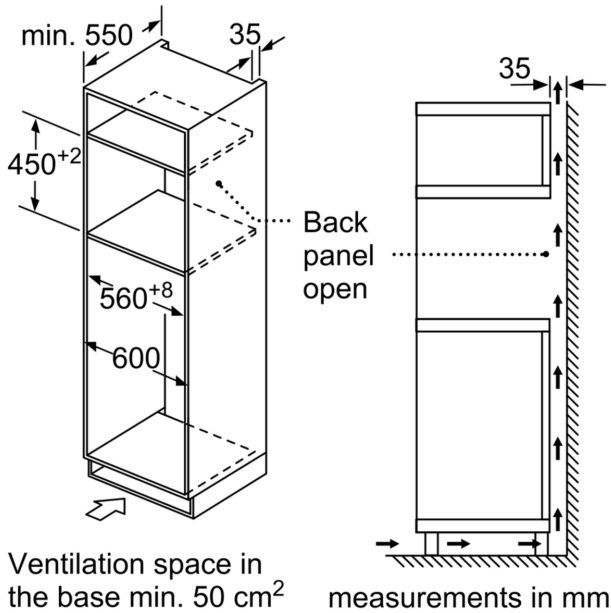
### **Connecting cable: 1.80 m**

- Child lock
- Automatic safety switch off door contact switch
- Integral cooling fan
- Length of mains cable: 180 cm
- Total connected load electric: 3.35 KW
- Nominal voltage: 220 - 230 V
- Max. time setting (MW): 90 min

### **Dimensions:**

- Appliance dimension (hxwxd): 454 mm x 594 mm x 570 mm
- Required niche size for installation (HxWxD): 450 mm - 452 mm x 560 mm - 568 mm x 550 mm
- Please reference the built-in dimensions provided in the installation drawing

**Series 6, Built-in microwave oven  
with hot air, 60 x 45 cm, Black  
CMA585MB01**



A: Back wall open  
B: Ventilation space in the plinth ≥ 50 cm<sup>2</sup>

