

**Series 6, Built-In Microwave Oven,
59 x 38 cm, Black
BEL553MB01**



1 x grid, 1 x Turntable

HEZ86D000 Steamer Cooker Accessory for Microwave

**The built-in microwave for the 38 cm
niche: use it for extra fast thawing,
heating and perfect preparation of foods.**

- **LED display control, red:** easy-to-use thanks to the time functions.
- **Pop-out controls:** for an easy to clean front.
- **Stainless steel interior:** easy to clean interior thanks to smooth surfaces and no sharp edges.

Additional function: MW+Grill function
 Type of control: Electronic
 Dimensions: 382x594x388 mm
 Cavity dimensions: 208.0 x 328.0 x 369.0 mm
 Length electrical supply cord: 130.0 cm
 Net weight: 19.1 kg
 Gross weight: 22.1 kg
 Max. microwave power level: 900 W
 Number of Power Levels: 5
 Turntable: Yes
 Cavity material: Stainless steel
 Door opening: Button
 Clock: Yes
 Included accessories: 1 x grid, 1 x Turntable
 Height of the appliance: 382 mm
 Width of the appliance: 594 mm
 Depth of the product: 388 mm
 Max. microwave power level: 900 W
 Connection rating: 1450 W
 Fuse protection: 10; 16 A
 Voltage: 220-230 V
 Frequency: 50; 50-60 Hz
 Plug type: India plug (16 Ampere)
 Required cutout/niche size for installation (in): x
 Dimensions of the packed product: 17.32 x 17.71 x 25.98
 Net weight: 42.000 lbs
 Gross weight: 49.000 lbs



**Series 6, Built-In Microwave Oven,
59 x 38 cm, Black
BEL553MB0I**

**The built-in microwave for the 38 cm
niche: use it for extra fast thawing,
heating and perfect preparation of foods.**

Heating modes

- Max. Power: 900 W; 5 Microwave power settings: 90 W, 180 W, 360 W, 600 W, 900 W
- Cavity volume: 25 l

Design

- stainless steel cavity

Colour display: red

Comfort

- LED
- electronic clock
- Appliance dimensions (H x W x D): 38.2 cm x 59.4 cm x 38.8 cm
- Automatic programmes, 8
- Rapid heating-up: No
- Glass Turntable diameter 31.5 cm
- Oven door with Left hinged side opening door, maximum opening 160 degrees

Connecting cable: 130 cm

- Automatic safety switch off
- door contact switch
- Integral cooling fan

Technical Information

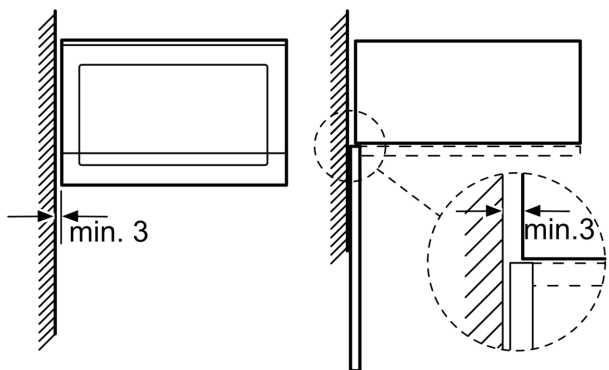
- Length of mains cable: 130 cm
- Total connected load electric: 1.45 KW
- Nominal voltage: 220 - 230 V
- Max. time setting (MW): 99 min

Dimensions:

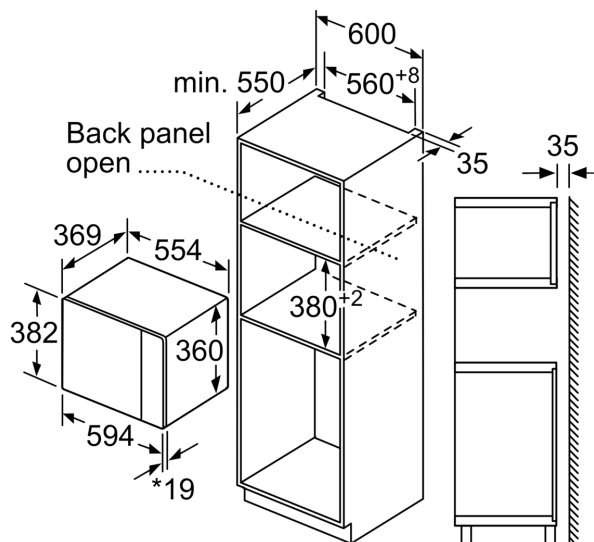
- Appliance dimension (hxwxd): 382 mm x 594 mm x 388 mm
- Required niche size for installation (HxWxD): 380 mm - 382 mm x 560 mm - 568 mm x 550 mm
- Please reference the built-in dimensions provided in the installation drawing

**Series 6, Built-In Microwave Oven,
59 x 38 cm, Black
BEL553MB01**

Microwave,
corner installation

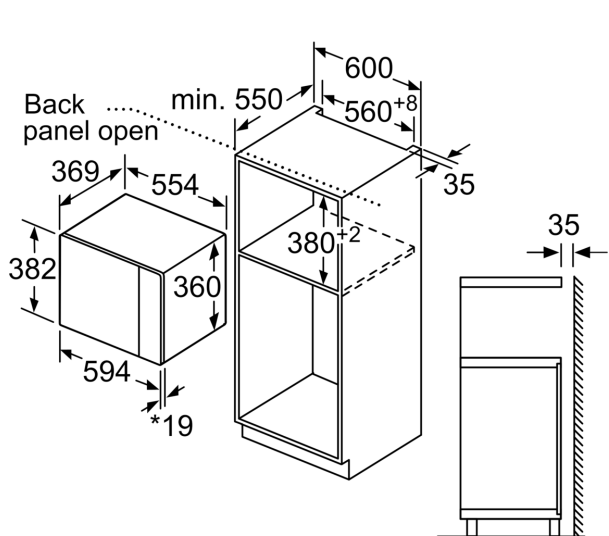


Measurements in mm



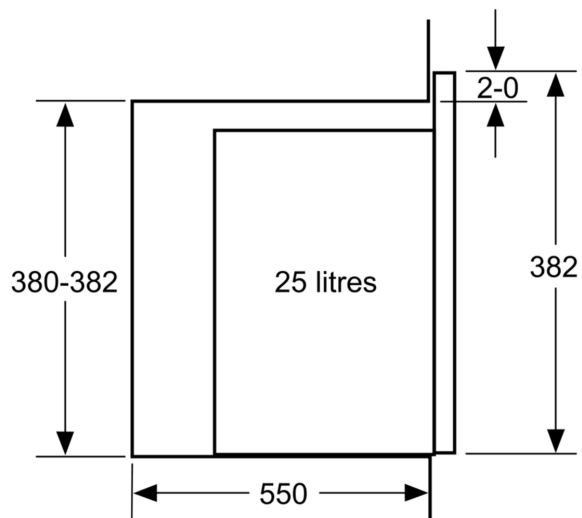
* 20 mm for
metal fascia

measurements in mm



* 20 mm for metal fascia

measurements in mm



measurements in mm