

**Serie | 6, washing machine, front loader, 8 kg, 1400 rpm  
WUQ28420GB**



**A+++**

**Built-under washing machine with EcoSilence Drive: enjoy supremely quiet operation and excellent durability.**

- **EcoSilence Drive™:** quiet and energy-efficient drive, with a 10-year warranty.
- **AllergyPlus:** developed for allergy sufferers and people with sensitive skin.
- **VarioDrum:** gentle washing thanks to a unique drum structure.
- **ActiveWater Plus:** For highly efficient use of water even with small loads thanks to automatic load detection.
- Start delay and remaining time indication on large LED display.

**Technical Data**

Built-in / Free-standing : Free-standing  
 Height of removable worktop : 820 mm  
 Dimensions of the product : 848 x 598 x 550 mm  
 Height for building under : 820.00 mm  
 Net weight : 66.093 kg  
 Connection Rating : 2300 W  
 Fuse protection : 10 A  
 Voltage : 220-240 V  
 Frequency : 50 Hz  
 Approval certificates : CE, VDE  
 Length electrical supply cord : 160 cm  
 Washing performance class : A  
 Door hinge : Left  
 Wheels : No  
 EAN code : 4242005053575  
 Capacity cotton - NEW (2010/30/EC) : 8.0 kg  
 Energy consumption annual - NEW (2010/30/EC) : 135.00 kWh/annum  
 Power consumption in off-mode - NEW (2010/30/EC) : 0.12 W  
 Power consumption in left-on mode - NEW (2010/30/EC) : 0.58 W  
 Water consumption annual (l/annum) - NEW (2010/30/EC) : 9680 l/annum  
 Spin drying performance class : B  
 Maximum spin speed - NEW (2010/30/EC) : 1400 rpm  
 Average washing time cotton 40C (partial load) - NEW (2010/30/EC) : 225 min  
 Average washing time cotton 60C (full load) - NEW (2010/30/EC) : 225 min  
 Average washing time cotton 60C (partial load) - NEW (2010/30/EC) : 225 min  
 Noise level washing : 49 dB(A) re 1 pW  
 Noise level spinning : 76 dB(A) re 1 pW  
 Installation typology : Built-under



**Optional accessories**

WMZ2381 : Extension for cold water inlet /Aquistop



## Serie | 6, washing machine, front loader, 8 kg, 1400 rpm WUQ28420GB

### Built-under washing machine with EcoSilence Drive: enjoy supremely quiet operation and excellent durability.

#### Performance

- Energy Efficiency Class: A+++
- Capacity: 8 kg
- Maximum spin speed: 1400 rpm\*\*
- B spin class
- Energy consumption :135 kWh per year, based on 220 standard washing cycles
- -30% more economical (135 kWh/year) than the standard value (196 kWh/year)
- Energy consumption: standard 60 °C cotton programme 0.78 kWh full load and 0.53 kWh partial load and 40 °C cotton programme 0.4 kWh partial load
- Water consumption 9680 litres per year, based on 220 standard washing cycles.
- Cottons 60 Eco and Cottons 40 Eco are the standard washing programmes to which the information in the label relates. These programmes are suitable to clean normally soiled cotton laundry and are the most efficient programmes in terms of combined energy and water consumption.
- Programme time:60 °C cotton programme 225 min at full load 225 min at partial load and 40 °C cotton programme 225 min partial load
- Drum volume: 58 litres
- Weighted power consumption off-mode / left-on mode: 0.12 W / 0.58 W
- Noise level washing : 49dB (A) re 1pW: Noise level spinning:76dB (A) re 1 pW

#### Programmes/functions

- Special programmes: Dark Wash, Drum clean, Shirts, SportsWear, Mixed Load, Allergy +, Super Quick 15/30, Duvet, Quiet Wash, wool, delicates/silk
- Touch control buttons: Reduced Ironing option, Ready in, Temperature selection, start/pause with reload function, SpeedPerfect, EcoPerfect, Aqua Plus, Spin speed reduction

#### Key features

- Fully electronic metal control dial for wash programmes, temperature and special programmes
- VarioPerfect: speed or energy efficiency with perfect wash performance every time
- EcoBar: Information about energy consumption
- Reload function: Be flexible in adding laundry items even after start of the wash cycle.
- AntiVibration Design - for more stability and quietness

#### Additional features

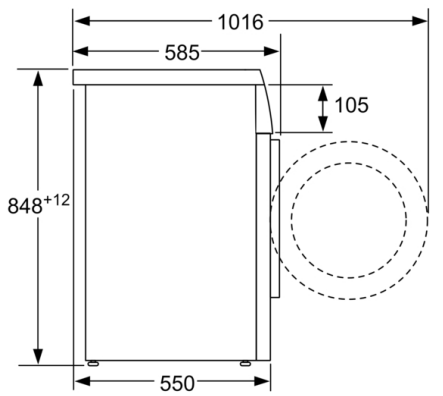
- EcoSilence drive with 10 year warranty
- Large LED display for programme status indication, temperature, spin speed, remaining time and 24 hour time delay
- ActiveWater: water management system
- VarioDrum: gentle and efficient washing
- DrumClean programme without reminder function
- Sensor electronics with safeguard monitoring system that adjusts load and distribution and programme settings to protect clothes
- 3D AquaSpa wash system with cascade for faster water penetration
- Flow-through sensor for optimum water use
- Multiple Water Protection
- Continuous automatic load adjustment system
- Overdosage indication
- Foam detection system
- Child lock
- Detergent dispensing: easy clean
- Divider for Liquid Detergent
- Buzzer to indicate the end of cycle
- Metal door catch

#### Technical Information

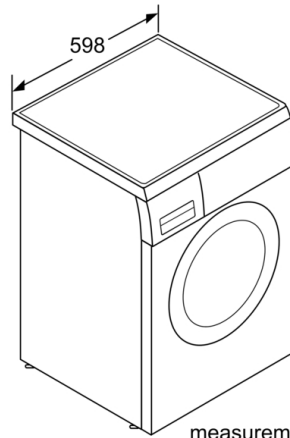
- Dimensions (H x W x D): 84.8 x 59.8 x Appliance depth: 58.5 cm
- Can be built-under
- Large silver-white door with 165° opening and 32cm porthole opening

**Serie | 6, washing machine, front loader, 8  
kg, 1400 rpm  
WUQ28420GB**

---



measurements in mm



measurements in mm