

**Series 6, Heat pump tumble dryer, 8 kg, White
WTR87T82GB**



The dryer for high drying performance with low energy consumption of A+++.

- **Easy Clean with A++:** dries efficiently. With an easy-to-clean condenser filter.
- **Auto Dry:** automatically dries to the exact level of dryness you want.
- **AntiVibration Design:** extremely stable and especially quiet thanks to special vibration protection.
- **Big LED Display:** easy operation and extra functions available.
- **Interior Drum Light:** shows exactly what's inside.

Technical Data

Built-in / Free-standing:	Free-standing
Removable top:	No
Door hinge:	Right
Length electrical supply cord:	179.5 cm
Dimensions:	842x598x613 mm
Net weight:	56.4 kg
Fluorinated greenhouse gases:	No
Hermetically sealed equipment:	Yes
The quantity expressed in CO2 equivalent:	0.000 t
EAN code:	4242005156887
Connection rating:	600 W
Fuse protection:	10 A
Voltage:	220-240 V
Frequency:	50 Hz



Optional accessories

- | | |
|----------|----------------------------------|
| WTZ27410 | Stacking kit |
| WMZ20600 | Wool in basket - accessory |
| WTZ1110 | Condenser drainage kit |
| WTZ27400 | Stacking kit with pull-out shelf |

¹ Scale of Energy Efficiency Classes from A to G

Series 6, Heat pump tumble dryer, 8 kg, White WTR87T82GB

The dryer for high drying performance with low energy consumption of A+++.

Performance

Programmes/functions

- Fully electronic control dial for sensor drying programmes and timed programmes
- Standard programmes: cotton, easy care
- Special programmes: shirts/blouses, Delicates, Towels, Mixed Load, Super Quick 40, Sportswear, Woollens, Timed programme cold, Timed programme warm
- Touch control buttons: end Time Delay, Reduced ironing, Drying time, Low heat, Buzzer, Start / Reload / Pause, Fine-tuning for drying level, 24 h end Time Delay

Key features

- EasyClean filter
- Heat pump technology with climate friendly cooling agent
- Sensitive drying: large stainless steel drum with textile care and revolution drying system
- AntiVibration design: for greater stability and quietness

Additional features

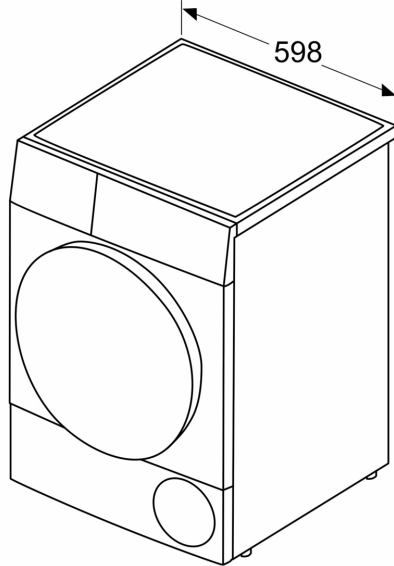
- Large LED display for remaining time and 24 hours time delay, programme progress indication and special functions
- Anti crease cycle 60 min at the end of the programme
- Drum interior light
- Child Lock
- Buzzer to indicate the end of cycle
- Door hinge: right-hand
- Container for condensed water

Technical Information

- slide-under installation
- Glass door,, silver-white
- Dimensions (H x W x D): 84.2 x 59.8 x Appliance depth: 66.5 cm
- Appliance depth: 61.3 cm
- Appliance depth incl. door: 66.5 cm
- Appliance depth with open door: 110.5 cm

Series 6, Heat pump tumble dryer, 8 kg, White
WTR87T82GB

Measurements in mm



Measurements in mm

