

**Series 6, Heat pump tumble dryer, 8 kg  
WQG233D8GB**



- WTZPW20D Platform with pull-out, dryer, cubic
- WMZ20600 Wool in basket - accessory
- WTZ27400 Stacking kit with pull-out shelf
- WTZ27410 Stacking kit

**The heat pump dryer with A+++ saves energy and its AutoDry sensor knows when your load is ready which avoids overheating and protects your garments.**

- **Easy Clean:** easy-to-reach fluff filters keep your washer-dryer energy efficient.
- **Auto Dry:** automatically dries to the exact level of dryness you want.
- **Half load option:** optimises the drying settings (load and duration) for small loads.
- **AntiVibration Design:** extremely stable and especially quiet thanks to special vibration protection.
- **Bed linen programme with reversible drum:** perfect drying results even for loads with a mix of large and small items.

Built-in / Free-standing: ..... Free-standing  
 Removable top: ..... No  
 Door hinge: ..... Right  
 Length electrical supply cord: ..... 179.5 cm  
 Dimensions: ..... 842 x 598 x 613 mm  
 Net weight: ..... 53.7 kg  
 Fluorinated greenhouse gases: ..... No  
 Type of refrigerant: ..... R290  
 Hermetically sealed equipment: ..... Yes  
 The quantity expressed in CO2 equivalent: ..... 0.000 t  
 EAN code: ..... 4242005328727  
 Connection rating: ..... 600 W  
 Fuse protection: ..... 10 A  
 Voltage: ..... 220-240 V  
 Frequency: ..... 50 Hz  
 Loading capacity: ..... 8.0 kg  
 Energy efficiency rating: ..... A+++  
 Energy consumption electric dryer, full load - NEW (2010/30/EC): 1.40 kWh  
 Standard cotton programme time at full load: ..... 165 min  
 Energy consumption electric dryer, partial load - NEW (2010/30/EC): ..... 0.84 kWh  
 Standard cotton programme time at partial load: ..... 108 min  
 Weighted annual energy consumption, electric dryer - NEW (2010/30/EC): ..... 176.0 kWh/annum  
 Weighted programme time: ..... 132 min  
 Average condensation efficiency full load (%): ..... 91 %  
 Average condensation efficiency partial load (%): ..... 91 %  
 Weighted condensation efficiency (%): ..... 91 %



## Series 6, Heat pump tumble dryer, 8 kg WQG233D8GB

**The heat pump dryer with A+++ saves energy and its AutoDry sensor knows when your load is ready which avoids overheating and protects your garments.**

### Performance

- Energy Efficiency Class<sup>1</sup>: A+++
- Energy<sup>2</sup>: 176 kWh
- Capacity: 1 - 8 kg
- Programme time<sup>3</sup>: 165 min
- Noise level: 64 dB (A) re 1 pW
- Condensation efficiency class<sup>4</sup>: A
- Condensation efficiency<sup>5</sup>: 91 %

### Programmes/functions

- Touch control buttons: Iron dry, Cupboard dry, Cupboard dry+, end Time Delay, Reduced ironing, Low heat, Buzzer, Start / Reload / Pause, 24 h end Time Delay
- Standard programmes: cotton, easy care
- Bed Linen Program: reduces tangling of big items thanks to reversible drum
- Special programmes: Cottons, shirts/blouses, Cotton Eco, Down, Delicates, Towels, Mixed Load, Super Quick 40, Sportswear, Easy-Care, Woollens, Timed programme warm

### Key features

- Anti crease cycle 120 min at the end of the programme
- Fully electronic control dial for sensor drying programmes and timed programmes
- Half Load option: optimises drying for smaller loads
- Sensitive drying: large stainless steel drum with textile care and revolution drying system
- AntiVibration design: for greater stability and quietness

### Additional features

- Large LED display for remaining time and 24 hours time delay, programme progress indication and special functions
- NewValue door with cover glass, black-blackgrey
- EasyClean filter
- Load recommendation
- Soft dial
- Heat pump technology with climate friendly cooling agent
- Drum interior light
- Container for condensed water
- Door hinge: right-hand
- Metal door catch
- Child Lock
- Buzzer to indicate the end of cycle

### Technical Information

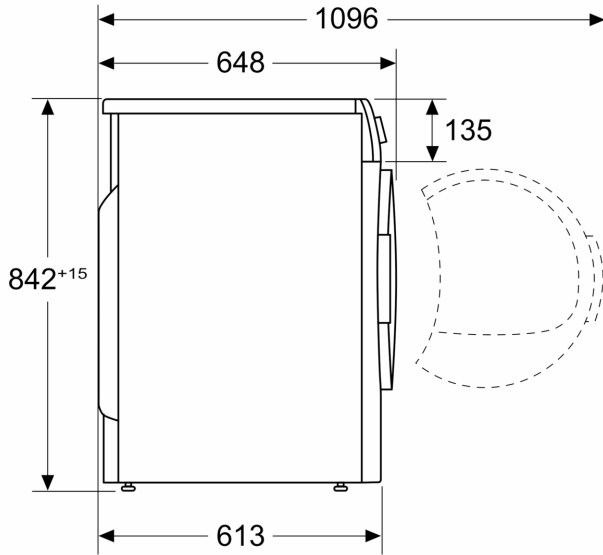
- slide-under installation
- Dimensions (H x W): 84.2 cm x 59.8 cm
- Appliance depth: 61.3 cm
- Appliance depth incl. door: 64.8 cm

- Appliance depth with open door: 109.6 cm

- <sup>1</sup> At a range of energy efficiency classes from A+++ to D
- <sup>2</sup> Energy consumption kWh per year, based on 160 drying cycles of the standard cotton programme at full and partial load, and the consumption of the low power modes
- <sup>3</sup> Programme time of the standard cotton programme at full load
- <sup>4</sup> On a condensation efficiency class scale from A to G
- <sup>5</sup> Weighted condensation efficiency for the standard cotton programme at full and partial load

**Series 6, Heat pump tumble dryer, 8  
kg  
WQG233D8GB**

Measurements in mm



Measurements in mm

