

**Series 6, Washer dryer, 9/6 kg, 1400 rpm
WNA14490GB**



The washer dryer with Iron Assist steam treatment, dries as efficiently as it washes and it also reduces wrinkles. Up to 6kg wash and dry load in one go.

- **Wash & Dry:** wash and dry efficiently up to 6 kg all in one go or just washing up to 9 kg.
- **Speed Perfect:** the ultimate clean, up to 65% faster.
- **Wash & Dry 60:** wash and dry small loads efficiently in just 60 min.
- **Iron Assist:** the clever steam treatment that smooths dried clothes.
- **EcoSilence Drive™:** quiet, efficient and durable.

- WMZ2200 Floor securing component
- WMZ2381 Extension for cold water inlet /Aquastop
- WMZPW20W Platform with pull-out, washer, cubic

Energy Efficiency Class Wash/Dry cycle(Regulation):	E
Energy Efficiency Class Eco 40-60 programme (Regulation):	C
Weighted energy consumption in kWh per 100 full Wash/Dry cycles	3.72 kWh
Weighted energy consumption in kWh per 100 washing cycles of eco 40-60 programme:	64 kWh
Maximum capacity in kg in a Wash/Dry cycle:	6.0
Maximum capacity in kg in a wash cycle:	9.0
The water consumption of the full wash and dry cycle in liters per cycle:	84 l
The water consumption of the eco programme in liters per cycle:41 l
Duration of the full wash and dry cycle in hours and mins at rated capacity:	7:45 h
Duration of eco 40-60 programme in hours and mins at rated capacity:	3:45 h
Spin-drying efficiency class of eco 40-60 programme:	B
Airborne acoustical noise emissions :	69 dB(A) re 1pW
Airborne acoustical noise emission class:	A
Built-in / Free-standing:	Free-standing
Removable top:	No
Door hinge:	Left
Length electrical supply cord:	210.0 cm
Dimensions of the product:	848x598x590 mm
Net weight:	81.2 kg
Drum volume:	65 l
EAN code:	4242005195145



Series 6, Washer dryer, 9/6 kg, 1400 rpm WNA14490GB

The washer dryer with Iron Assist steam treatment, dries as efficiently as it washes and it also reduces wrinkles. Up to 6kg wash and dry load in one go.

Performance

- Energy Efficiency Class Wash and Dry¹: E
- Energy Efficiency Class Washing²: C
- Energy³ / Water⁴ Wash and Dry: 372 kWh / 84 litres
- Energy⁵ / Water⁶ Washing: 64 kWh / 41 litres
- Load capacity Wash and Dry / Washing: 1 - 6 kg / 1 - 9 kg
- Programme duration⁷ Wash and Dry / Washing: 7:45 h:min / 3:45 h:min
- Spin drying efficiency class: EU19_spin efficiency class: B
- Spin speed^{**}: 400 - 1400 rpm
- Noise level: 69 dB (A) re 1 pW
- Noise efficiency class: A

Programmes/functions

- Standard programmes for washing: Cottons, Easy-Care, Delicate/Silk programme, Wool/Handwash
- Special programmes washing: Allergy +, Super Quick 15, Mixed Load, Drain / Spin, Single Rinse
- Most common washing programmes can be used as solo-drying programme or as washing and drying in one go programme
- Options washing: Easy iron, Spin speed selection, SpeedPerfect, Start / Pause, Temperature selection, Prewash
- Standard programmes for drying: Cottons, Easy-Care
- Special programmes drying: Refresh, Intensive dry, Low heat, Wash & Dry 60'
- Drying options for most wash programmes
- Autodry function, Timed drying programmes
- Options drying: Drying aim
- Sensor electronics with safeguard monitoring system that adjusts load and distribution and programme settings to protect clothes

Key features

- Fully electronic control dial for all wash and special programmes
- SpeedPerfect: perfectly clean in up to 65% less time. ***
- Reload function: Be flexible in adding laundry items even after start of the wash cycle.
- EcoSilence Drive
- AntiVibration Design - for more stability and quietness

Additional features

- Large LED-Display for programme status indication, max. spin speed, remaining time and 24 h end time delay and load recommendation
- VarioDrum: gentle and efficient washing
- Sound insulation by additional noise reduction material
- Aqua Protection
- Foam detection system
- Overdosage indication
- Detergent dispensing: easy clean

- No
- Child lock
- Acoustic signals: Buzzer
- Maintenance free condenser: automatic fluff removal

Technical Information

- Slide-under installation
- Large white door with 165° opening and 32cm porthole opening
- Dimensions (H x W): 84.8 cm x 59.8 cm
- Appliance depth: 59.0 cm
- Appliance depth incl. door: 63.5 cm
- Appliance depth with open door: 107.2 cm

^{1 2} Scale of Energy Efficiency Classes from A to G

³ Energy consumption in kWh per 100 complete cycles (in Eco 40-60 programme)

⁴ Water consumption in litres per complete cycle (in Eco 40-60 programme)

⁵ Energy consumption in kWh per 100 washing cycles (in Eco 40-60 programme)

⁶ Weighted water consumption in litres per washing cycle (in Eco 40-60 programme)

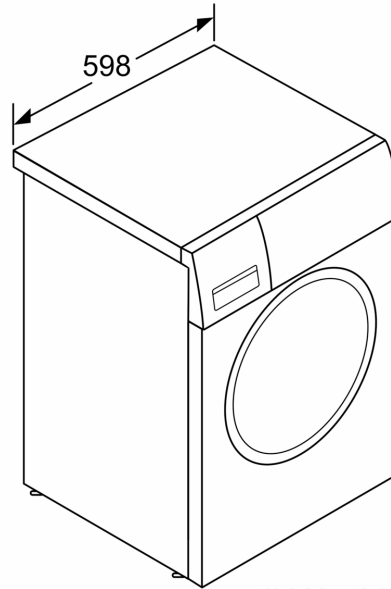
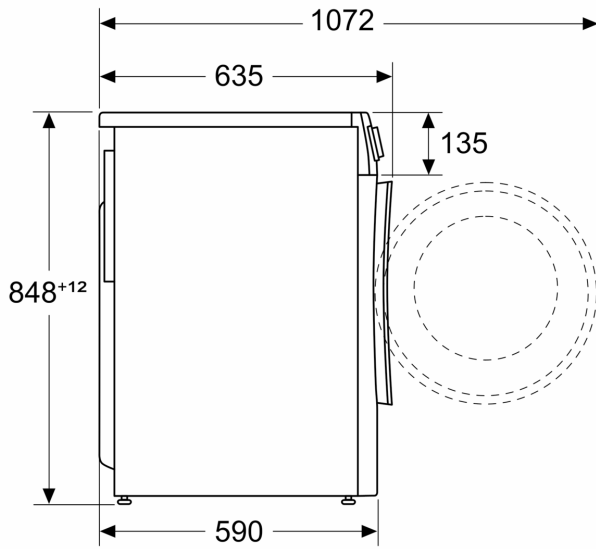
⁷ Duration of Eco 40-60 programme, Wash and Dry cycle / Wash only cycle

** Values are rounded.

*** Comparison between the program duration of Easy-care 40°C and the program duration of Easy-care 40°C + activated Speed option

Series 6, Washer dryer, 9/6 kg, 1400 rpm
WNA14490GB

measurements in mm



measurements in mm