

**Serie | 4, washer dryer, 7/4 kg
WKD28351GB**



B

• **7/4 kg load capacity:** wash 7 kg, dry 4 kg.

Technical Data

Built-in / Free-standing :	Free-standing
Removable top :	No
Door hinge :	Left
Length electrical supply cord (cm) :	220
Height of removable worktop (mm) :	820
Net weight (kg) :	80.930
Drum volume (l) :	52
EAN code :	4242002877440
Connection Rating (W) :	2300
Current (A) :	10
Voltage (V) :	220-240
Frequency (Hz) :	50
Approval certificates :	CE, G-Mark, VDE
Energy consumption (wash and dry of full wash load) (kWh) :	5.60
Energy consumption (wash only) (kWh) :	1.33
Water consumption (wash and dry full wash load) (l) :	92



4 242002 877440

Serie | 4, washer dryer, 7/4 kg WKD28351GB

Performance

- Label: Energy efficiency B at a range of energy efficiency classes from A to G / Washing performance A
- Maximum spin speed :1355 rpm**
- Capacity: 7 kg washing, 4 kg drying
- Non-stop wash and dry programme 4 kg
- Energy consumption wash and dry 5.6 kWh Water consumption wash and dry 92 litres
- Drum volume: 52 litres
- Noise level: washing 57 dB (re 1pW) Noise level: spinning 74 dB (re 1pW)

Programmes/functions

- Special programmes: 30°C, 40°C, Mixed load, rinsing/spinning, Drain / Spin, Handwash/Wool, Wool Programme, Delicates 30°C
- Fully electronic control dial for all wash and special programmes
- Special programme - drying: fluff removal cycle
- Option buttons: menu, select

Key features

- AquaSpa wash system
- Timed drying programmes

Additional features

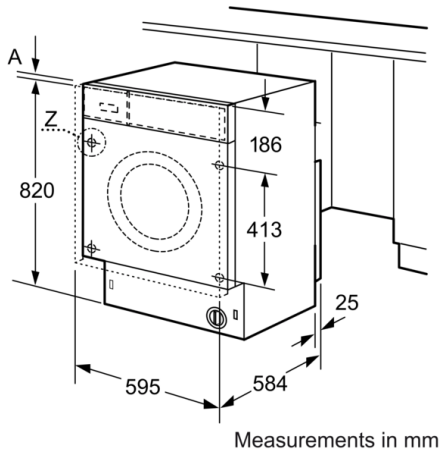
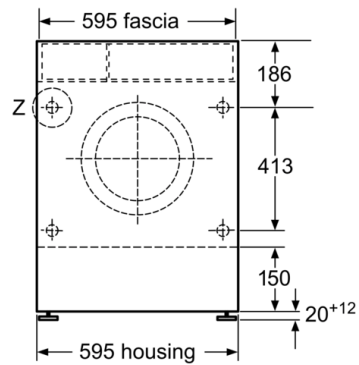
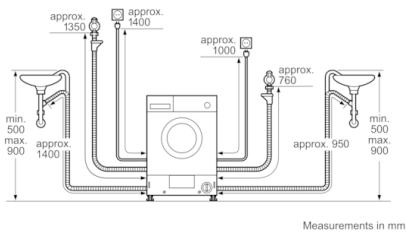
- Buttons: Start, Spin speed reduction, Change, menu, drying time and 24 hour Ready in Start time delay
- Large display for programme progress indication, temperature, spin speed, time remaining and 24 hours time delay, and indication of drying level
- Sensor electronics with safeguard monitoring system that adjusts load and distribution and programme settings to protect clothes
- Multiple Water Protection
- Foam detection system
- Buzzer to indicate the end of cycle
- Child lock
- Metal door catch
- Reload facility

Technical Information

- Dimensions (H x W x D): 82 x 59.5 x Appliance depth: 56 cm
- White door with 180° opening door and 30 cm porthole opening
- Left hinged door
- adjustable base height: 16.5 cm
- adjustable base depth: 6 cm

** Values are rounded.

**Serie | 4, washer dryer, 7/4 kg
WKD28351GB**



Z detail

