

**Series 6, Washing machine, front loader, 9 kg, 1400 rpm  
WGG24409GB**



**Perfect results with minimum energy and water consumption, thanks to energy Class A and ActiveWater Plus.**

- **Speed Perfect:** Cuts the cycle time by up to 65%\* without compromising on results. \*Difference between the duration of Easy Care Programme 40°C and the duration of Easy Care Programme 40°C in combination with Speed Perfect option.
- **AntiStain:** reliably removes four common stains.
- **Active Water Plus:** uses only the precise amount of water needed for every wash.
- **EcoSilence Drive™:** quiet and energy-efficient drive, with a 10-year warranty.
- **A rated:** save energy with our most efficient A rated appliances

---

Energy Efficiency Class: .....	A
Weighted energy consumption in kWh per 100 washing cycles of eco 40-60 programme: .....	46 kWh
Maximum capacity in kg: .....	9.0 kg
The water consumption of the eco programme in liters per cycle: .....	48 l
Duration of eco 40-60 programme in hours and mins at rated capacity: .....	3:48 h
Spin-drying efficiency class of eco 40-60 programme: .....	B
Airborne acoustical noise emission class: .....	A
Airborne acoustical noise emissions : .....	71 dB(A) re 1pW
Built-in / Free-standing: .....	Free-standing
Dimensions of the product: .....	848x598x590 mm
Net weight: .....	73.6 kg
Connection rating: .....	2300 kWh
Fuse protection: .....	10 A
Voltage: .....	220-240 V
Frequency: .....	50-60 Hz
Length electrical supply cord: .....	210.0 cm
Door hinge: .....	Left
Wheels: .....	No
EAN code: .....	4242005307555
Installation typology: .....	Free-standing

---

- WMZ2200 Floor securing component  
 WMZ2381 Extension for cold water inlet /Aquastop  
 WMZPW20W Platform with pull-out, washer, cubic



## Series 6, Washing machine, front loader, 9 kg, 1400 rpm WGG24409GB

### Perfect results with minimum energy and water consumption, thanks to energy Class A and ActiveWater Plus.

#### Performance

- Energy Efficiency Class<sup>1</sup>: A
- Energy<sup>2</sup> / Water<sup>3</sup>: 46 kWh / 48 litres
- Load capacity: 1 - 9 kg
- Programme duration<sup>4</sup>: 3:48 h:min
- Spin drying efficiency class: B
- Spin speed<sup>\*\*</sup>: 400 - 1400 rpm
- Noise level: 71 dB (A) re 1 pW
- Noise efficiency class: A

#### Programmes/functions

- Touch control buttons: Reduced Ironing option, Ready in, stain selection, start/pause with reload function, Temperature selection, SpeedPerfect, Prewash, Spin speed reduction, Aqua Plus/Rinse Hold
- Standard programmes: cottons, easy care, delicates, wool hand wash
- Special programmes: Drum clean with reminder, Jeans, Drain / Spin, Mixed Load, SportsWear, Single Rinse, Duvet, Super Quick 15/30, Hygiene
- Sensor electronics with safeguard monitoring system that adjusts load and distribution and programme settings to protect clothes

#### Key features

- SpeedPerfect: perfectly clean in up to 65% less time. \*\*\*
- AntiStain - 4 stain removal options at the touch of a button
- Reload function: Be flexible in adding laundry items even after start of the wash cycle.
- AntiVibration Design - for more stability and quietness
- EcoSilence drive with 10 year warranty

#### Additional features

- Large LED-Display for programme status indication, max. spin speed, remaining time and 24 h end time delay and load recommendation
- Hygiene Plus: clean laundry and killing germs effectively
- Drum volume: 65 litres
- VarioDrum: gentle and efficient washing
- Drum clean with reminder function
- ActiveWater Plus: for highly efficient use of water even with small loads thanks to automatic load detection.
- AntiStain
- Detergent dispensing: easy clean
- Divider for Liquid Detergent
- Aqua Protection
- soft dial
- Foam detection system
- Child lock
- Acoustic signals: Buzzer

#### Technical Information

- Slide-under installation
- Large black-blackgrey door with 165° opening and 32cm porthole opening
- Dimensions (H x W): 84.8 cm x 59.8 cm
- Appliance depth: 59.0 cm
- Appliance depth incl. door: 63.6 cm
- Appliance depth with open door: 107.3 cm

<sup>1</sup> Scale of Energy Efficiency Classes from A to G

<sup>2</sup> Energy consumption in kWh per 100 cycles (in programme Eco 40-60)

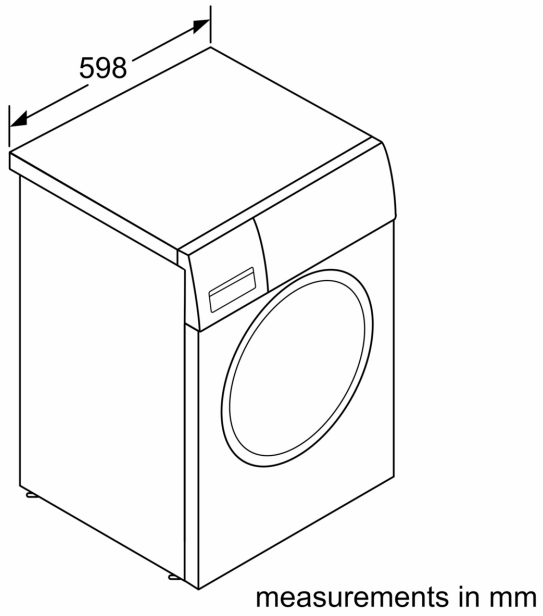
<sup>3</sup> Weighted water consumption in litres per cycle (in programme Eco 40-60)

<sup>4</sup> Duration of Eco 40-60 programme

<sup>\*\*</sup> Values are rounded.

<sup>\*\*\*</sup> Comparison between the program duration of Easy-care 40°C and the program duration of Easy-care 40°C + activated Speed option

**Series 6, Washing machine, front loader, 9 kg, 1400 rpm  
WGG24409GB**



Measurements in mm

