

**Serie | 8**
**WAW28560GB**  
**Automatic washing machine**

**A+++**
**A washing machine with new design and EcoSilence Drive™: enjoy supremely quiet operation and excellent durability.**

- **EcoSilence Drive™**: extremely energy-efficient and quiet in operation with a 10-year warranty.
- **Energy efficiency class A+++ -30%**: 30% more efficient than the best efficiency class.
- **Consumption indication**: easy operation and indication of energy and water consumption.
- **DrumClean with reminder function**: programme for cleaning and maintaining the drum.
- **AutoStain**: removes the four most common stains.

**Technical Data**

Built-in / Free-standing :	Free-standing
Height of removable worktop (mm) :	850
Dimensions of the product (mm) :	848 x 598 x 590
Net weight (kg) :	71.370
Connection Rating (W) :	2300
Current (A) :	10
Voltage (V) :	220-240
Frequency (Hz) :	50
Approval certificates :	CE, VDE
Length electrical supply cord (cm) :	160
Washing performance class :	A
Door hinge :	Left
Wheels :	No
EAN code :	4242002822396
Capacity cotton (kg) - NEW (2010/30/EC) :	9.0
Energy efficiency class (2010/30/EC) :	A+++
Energy consumption annual (kWh/annum) - NEW (2010/30/EC) :	152.00
Power consumption in off-mode (W) - NEW (2010/30/EC) :	0.12
Power consumption in left-on mode - NEW (2010/30/EC) :	0.43
Water consumption annual (l/annum) - NEW (2010/30/EC) :	11220
Spin drying performance class :	B
Maximum spin speed (rpm) - NEW (2010/30/EC) :	1361
Average washing time cotton 40C (partial load) - NEW (2010/30/EC) :	285
Average washing time cotton 60C (full load) (min) - NEW (2010/30/EC) :	285
Average washing time cotton 60C (partial load) - NEW (2010/30/EC) :	285
Duration of the left-on mode - NEW (2012/30/EC) (min) :	20
Noise level washing (dB(A) re 1 pW) :	47
Noise level spinning (dB(A) re 1 pW) :	71
Installation typology :	Freestanding



4 242002 822396

## Serie | 8 Washing Machines

### WAW28560GB

#### Automatic washing machine

**A washing machine with new design and EcoSilence Drive™: enjoy supremely quiet operation and excellent durability.**

#### Performance

- Energy Efficiency Class: A+++ at a range of energy efficiency classes from A+++ to D
- Capacity: 9 kg
- Maximum spin speed: 1400 rpm
- B spin class
- Energy consumption :152 kWh per year, based on 220 standard washing cycles
- -30% more economical (152kWh/year) than the standard value (217 kWh/year) of energy efficiency class A+++
- Cottons 60 Eco and Cottons 40 Eco are the standard washing programmes to which the information in the label relates. These programmes are suitable to clean normally soiled cotton laundry and are the most efficient programmes in terms of combined energy and water consumption.
- Energy consumption: standard 60 °C cotton programme 0.92 kWh full load and 0.6 kWh partial load and 40 °C cotton programme 0.42 kWh partial load
- Weighted power consumption off-mode / left-on mode: 0.12 W / 0.43 W
- Duration of the left-on mode: 20 min
- Water consumption 11220 litres per year, based on 220 standard washing cycles.
- Programme time:60 °C cotton programme 285 min at full load 285 min at partial load and 40 °C cotton programme 285 min partial load
- Drum volume: 65 litres
- Noise level washing : 47dB (A) re 1pW: Noise level spinning:71dB (A) re 1 pW

#### Programmes/functions

- Special programmes: Drain, Night Wash, Shirts, SportsWear, Super Quick 15, Mixed Load, rinsing/spinning, Allergy +, Duvet, Drum clean with reminder, Handwash/Wool, Delicates 30°C
- Touch control buttons: Prewash, Reduced Ironing option, Spin speed reduction, Aqua plus option for best rinsing results, Temperature selection, Start, SpeedPerfect, EcoPerfect, stain selection and 24 h Start time delay

#### Key features

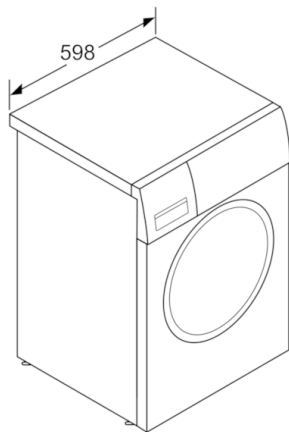
- VarioPerfect: speed or energy efficiency with perfect wash performance every time
- ActiveWater: water management system
- AutoStain Removal System with 4 stain options - actioned with standard programmes
- EcoSilence drive with 10 year warranty
- AntiVibration Design - for more stability and quietness
- EcoBar Plus function: five possible levels of energy and water consumption

#### Additional features

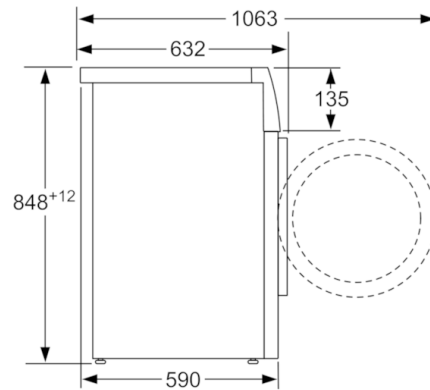
- Large LCD display for programme status indication, temperature selection, max. spin speed, remaining time and 24 hours end time delay, stain selection and consumption indication
- Control dial with integrated On / Off mode
- WaveDrum: gentle and efficient washing
- Drum clean with reminder function
- Reload facility
- Drum interior light
- Easy cleaning detergent drawer
- Sound insulation by additional noise reduction material
- Buzzer
- Child lock
- Divider for Liquid Detergent

#### Technical Information

- Dimensions (H x W x D): 84.8 x 59.8 x 59 cm
- Slide-under installation
- Large chrome, white door with 171° opening and 32cm porthole opening

**Serie | 8 Washing Machines****WAW28560GB****Automatic washing machine**

measurements in mm



measurements in mm