

**Series 6, Washing machine, front loader, 9 kg, 1400 rpm
WAU28T64GB**



The washing machine with EcoSilence Drive™: enjoy supremely quiet operation and excellent durability.

- **EcoSilence Drive™:** quiet and energy-efficient drive, with a 10-year warranty.
- **AllergyPlus:** developed for allergy sufferers and people with sensitive skin.
- **Speed Perfect:** get the perfect clean in up to 65% less time.
- **VarioDrum:** gentle washing thanks to a unique drum structure.
- **ActiveWater Plus:** For highly efficient use of water even with smaller loads thanks to automatic load detection.

Technical Data

Energy Efficiency Class:	C
Weighted energy consumption in kWh per 100 washing cycles of eco 40-60 programme:	66 kWh
Maximum capacity in kg:	9.0 kg
The water consumption of the eco programme in liters per cycle:	44 l
Duration of eco 40-60 programme in hours and mins at rated capacity:	3:37 h
Spin-drying efficiency class of eco 40-60 programme:	B
Airborne acoustical noise emission class:	A
Airborne acoustical noise emissions :	72 dB(A) re 1 pW
Built-in / Free-standing:	Free-standing
Height of removable worktop:	0 mm
Dimensions of the product:	848 x 598 x 590 mm
Net weight:	68.5 kg
Connection rating:	2300 W
Fuse protection:	10 A
Voltage:	220-240 V
Frequency:	50 Hz
Length electrical supply cord:	210.0 cm
Door hinge:	Left
Wheels:	No
EAN code:	4242005241248
Installation typology:	Free-standing

Optional accessories

WMZ20430	Built-under kit
WMZ20490	Platform with pull-out
WMZ2200	Floor securing component
WMZ2381	Extension for cold water inlet /Aquastop



Series 6, Washing machine, front loader, 9 kg, 1400 rpm WAU28T64GB

The washing machine with EcoSilence Drive™: enjoy supremely quiet operation and excellent durability.

Performance

- Energy Efficiency Class¹: C
- Energy² / Water³: 66 kWh / 44 litres
- Load capacity: 1 - 9 kg
- Programme duration⁴: 3:37 h:min
- Spin drying efficiency class: B
- Spin speed^{**}: 400 - 1400 rpm
- Noise level: 72 dB (A) re 1 pW
- Noise efficiency class: A

Programmes/functions

- Touch control buttons: Reduced Ironing option, Ready in, start/pause with reload function, Temperature selection, SpeedPerfect, Prewash, Spin speed reduction/Rinse Hold
- Standard programmes: cottons, easy care, delicates, wool hand wash
- Special programmes: Allergy +, Drum clean with reminder, Dark Wash, Shirts, Drain / Spin, Mixed Load, SportsWear, Single Rinse, Super Quick 15/30
- Sensor electronics with safeguard monitoring system that adjusts load and distribution and programme settings to protect clothes

Key features

- SpeedPerfect: perfectly clean in up to 65% less time. ***
- Reload function / pause function
- EcoSilence drive with 10 year warranty
- AntiVibration Design - for more stability and quietness

Additional features

- Large LED display for programme status indication, temperature, spin speed, remaining time and 24 hour time delay
- VarioDrum: gentle and efficient washing
- Drum clean with reminder function
- Consumption indicator energy
- Aqua Protection
- Foam detection system
- Overdosage indication
- Detergent dispensing: easy clean
- Divider for Liquid Detergent
- Child lock
- Acoustic signals: Buzzer

Technical Information

- Slide-under installation
- Drum volume: 63 litres
- Large silver-white door with 171° opening and 32cm porthole opening
- Dimensions (H x W): 84.8 cm x 59.8 cm
- Appliance depth: 59.0 cm
- Appliance depth incl. door: 63.2 cm

- Appliance depth with open door: 106.3 cm

¹ Scale of Energy Efficiency Classes from A to G

² Energy consumption in kWh per 100 cycles (in programme Eco 40-60)

³ Weighted water consumption in litres per cycle (in programme Eco 40-60)

⁴ Duration of Eco 40-60 programme

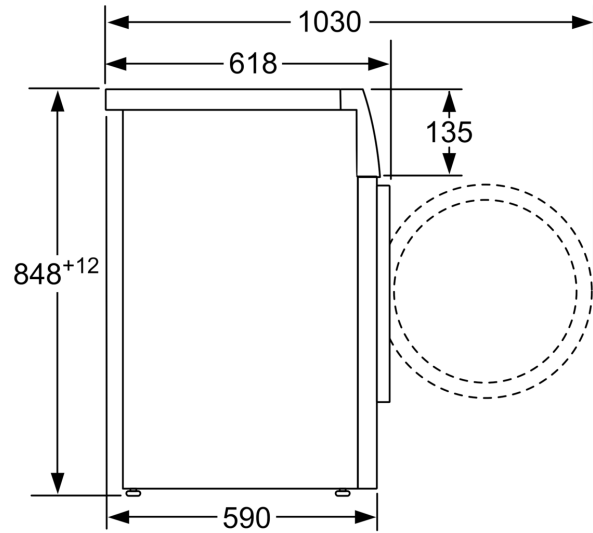
** Values are rounded.

*** Comparison between the program duration of Easy-care 40°C and the program duration of Easy-care 40°C + activated Speed option

**Series 6, Washing machine, front
loader, 9 kg, 1400 rpm
WAU28T64GB**



measurements in mm



measurements in mm