

**Serie | 4, washing machine, front loader, 8 kg, 1400 rpm
WAN28281GB**



Automatic washing machine with EcoSilence Drive™: quiet operation and durability that you can rely on.

- **EcoSilence Drive™:** quiet and energy-efficient drive, with a 10-year warranty.
- **AllergyPlus:** developed for allergy sufferers and people with sensitive skin.
- **SpeedPerfect:** perfectly clean in up to 65% less time*.
- **ActiveWater Plus:** For highly efficient use of water even with smaller loads thanks to automatic load detection.
- Easy-to-use LED display with touch control and many additional functions like start delay and remaining time.

Technical Data

Energy Efficiency Class: C

Weighted energy consumption in kWh per 100 washing cycles of eco 40-60 programme: 63 kWh

Maximum capacity in kg: 8.0 kg

The water consumption of the eco programme in liters per cycle: 48 l

Duration of eco 40-60 programme in hours and mins at rated capacity: 3:35 h

Spin-drying efficiency class of eco 40-60 programme: B

Airborne acoustical noise emission class: B

Airborne acoustical noise emissions : 74 dB(A) re 1 pW

Built-in / Free-standing: Free-standing

Height of removable worktop: -2 mm

Dimensions of the product: 848 x 598 x 550 mm

Net weight: 68.5 kg

Connection Rating: 2300 W

Fuse protection: 10 A

Voltage: 220-240 V

Frequency: 50 Hz

Approval certificates: CE, E17D UKCA marking, VDE

Length electrical supply cord: 210 cm

Door hinge: Left

Wheels: No

EAN code: 4242005221776

Installation typology: Freestanding

Optional accessories

WMZ2381 : Extension for cold water inlet /Aquastop



4 242005 221776

**Serie | 4, washing machine, front loader, 8 kg, 1400 rpm
WAN28281GB**

Automatic washing machine with EcoSilence Drive™: quiet operation and durability that you can rely on.

Performance

- Energy Efficiency Class¹: C
- Energy² / Water³: 63 kWh / 48 litres
- Load capacity: 1 - 8 kg
- Programme duration⁴: 3:35 h:min
- Spin drying efficiency class: B
- Spin speed^{**}: 400 - 1400 rpm
- Noise level: 74 dB (A) re 1 pW
- Noise efficiency class: B

Programmes/functions

- Touch control buttons: Prewash, Rinse Plus, Ready in, Temperature selection, SpeedPerfect, start/pause with reload function, Spin speed reduction
- Standard programmes: cottons, easy care, delicates, wool hand wash
- Special programmes: Rinse, Dark Wash, Shirts, SportsWear, Mixed Load, Allergy +, Super Quick 15/30, Quiet Wash, Wool/Handwash, Delicate/Silk programme
- Sensor electronics with safeguard monitoring system that adjusts load and distribution and programme settings to protect clothes

Key features

- Fully electronic control dial for all wash and special programmes
- SpeedPerfect: perfectly clean in up to 65% less time.
- Reload function: Be flexible in adding laundry items even after start of the wash cycle.
- EcoSilence drive with 10 year warranty
- AntiVibration Design - for more stability and quietness

Additional features

- Large display for programme progress indication, spin speed, remaining time, 24 hour end time delay and load recommendation
- Multiple Water Protection
- Foam detection system
- Divider for Liquid Detergent
- Child lock
- Buzzer to indicate the end of cycle

Technical Information

- Slide-under installation
- Drum volume: 55 litres
- Large silver-white door with 180° opening and 32cm porthole opening
- Dimensions (H x W): 84.8 cm x 59.8 cm
- Appliance depth: 55.0 cm
- Appliance depth incl. door: 60.0 cm
- Appliance depth with open door: 101.7 cm

¹ Scale of Energy Efficiency Classes from A to G

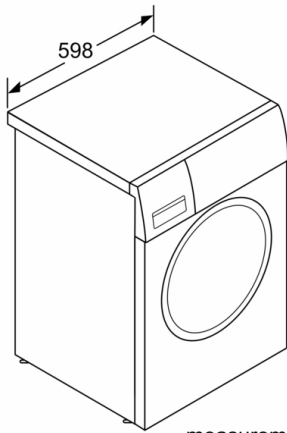
² Energy consumption in kWh per 100 cycles (in programme Eco 40-60)

³ Weighted water consumption in litres per cycle (in programme Eco 40-60)

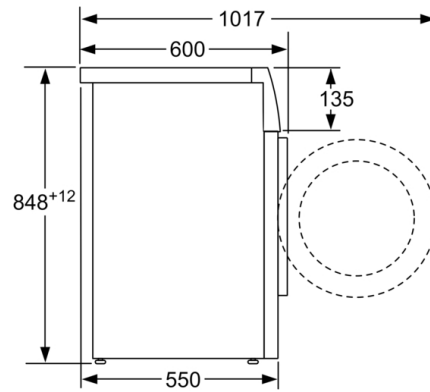
⁴ Duration of Eco 40-60 programme

^{**} Values are rounded.

**Serie | 4, washing machine, front loader, 8
kg, 1400 rpm
WAN28281GB**



measurements in mm



measurements in mm