

**Serie | 4, washing machine, front loader, 8 kg, 1400 rpm
WAN28280GB**



A+++

Automatic washing machine with EcoSilence Drive™: quiet operation and durability that you can rely on.

- **EcoSilence Drive™:** extremely energy-efficient and quiet in operation with an especially long life.
- Easy-to-use LED display with touch control and many additional functions like start delay and remaining time.
- **AntiVibration™ Design:** extremely stable and especially quiet thanks to special vibration protection.
- **VarioPerfect™:** takes up to 65% less time or uses up to 50% less energy – by simply selecting SpeedPerfect or EcoPerfect functions.
- Super Quick 30 is a convenient method of freshening up light-solied laundry in 30 minutes

Technical Data

Built-in / Free-standing :	Free-standing
Height of removable worktop (mm) :	850
Dimensions of the product (mm) :	848 x 598 x 550
Height for building under :	850.00
Net weight (kg) :	69.248
Connection Rating (W) :	2300
Current (A) :	10
Voltage (V) :	220-240
Frequency (Hz) :	50
Approval certificates :	CE, VDE
Length electrical supply cord (cm) :	210
Washing performance class :	A
Door hinge :	Left
Wheels :	No
EAN code :	4242002959313
Capacity cotton (kg) - NEW (2010/30/EC) :	8.0
Energy consumption annual (kWh/annum) - NEW (2010/30/EC) :	176.00
Power consumption in off-mode (W) - NEW (2010/30/EC) :	0.12
Power consumption in left-on mode (W) - NEW (2010/30/EC) :	0.50
Water consumption annual (l/annum) - NEW (2010/30/EC) :	9900
Spin drying performance class :	B
Maximum spin speed (rpm) - NEW (2010/30/EC) :	1380
Average washing time cotton 40C (partial load) - NEW (2010/30/EC) :	200
Average washing time cotton 60C (full load) (min) - NEW (2010/30/EC) :	200
Average washing time cotton 60C (partial load) - NEW (2010/30/EC) :	200
Noise level washing (dB(A) re 1 pW) :	55
Noise level spinning (dB(A) re 1 pW) :	76
Installation typology :	Freestanding

Optional accessories

WMZ2381 : Extension for cold water inlet /Aquastop



Serie | 4, washing machine, front loader, 8 kg, 1400 rpm WAN28280GB

Automatic washing machine with EcoSilence Drive™: quiet operation and durability that you can rely on.

Performance

- Energy Efficiency Class: A+++
- -10% more economical (176 kWh/year) than the standard value (196 kWh/year)
- Capacity: 8 kg
- B spin class
- Maximum spin speed: 1400 rpm**
- Energy consumption :176 kWh per year, based on 220 standard washing cycles
- Energy consumption: standard 60 °C cotton programme 0.94 kWh full load and 0.78 kWh partial load and 40 °C cotton programme 0.56 kWh partial load
- Cottons 60 Eco and Cottons 40 Eco are the standard washing programmes to which the information in the label relates. These programmes are suitable to clean normally soiled cotton laundry and are the most efficient programmes in terms of combined energy and water consumption.
- Water consumption 9900 litres per year, based on 220 standard washing cycles.
- Programme time:60 °C cotton programme 200 min at full load 200 min at partial load and 40 °C cotton programme 200 min partial load
- Weighted power consumption off-mode / left-on mode: 0.12 W / 0.5 W
- Drum volume: 55 litres
- Noise level washing : 55dB (A) re 1pW: Noise level spinning:76dB (A) re 1 pW

Programmes/functions

- Fully electronic control dial for all wash and special programmes
- Touch control buttons: Reduced Ironing option, Ready in, Temperature selection, start/pause with reload function, SpeedPerfect, EcoPerfect, Aqua Plus, Spin speed reduction
- Special programmes: Down Wear, Dark Wash, Shirts, SportsWear, Curtains 30°C, Mixed Load, Allergy +, Super Quick 15/30, Drum clean with reminder, rinse/spin/drain, Wool/Handwash, Delicate/Silk programme

Key features

- VarioPerfect: speed or energy efficiency with perfect wash performance every time
- Reload function: Be flexible in adding laundry items even after start of the wash cycle.
- EcoSilence drive with 10 year warranty
- AntiVibration Design - for more stability and quietness

Additional features

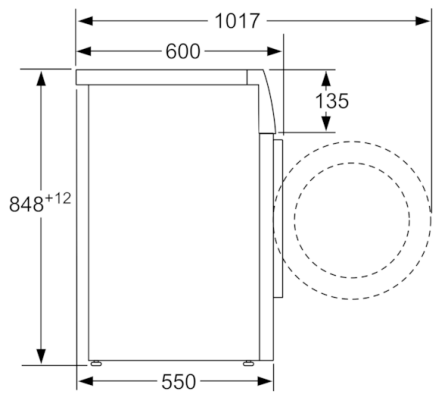
- Large display for programme progress indication, temperature, spin speed, remaining time, 24 hours end time delay and load recommendation
- 3D AquaSpa wash system with cascade for faster water penetration
- Sensor electronics with safeguard monitoring system that adjusts load and distribution and programme settings to protect clothes
- Reload facility
- Continuous automatic load adjustment system
- Foam detection system
- Overdosage indication
- Multiple Water Protection
- Divider for Liquid Detergent
- Buzzer to indicate the end of cycle
- Child lock
- Metal door catch

Technical Information

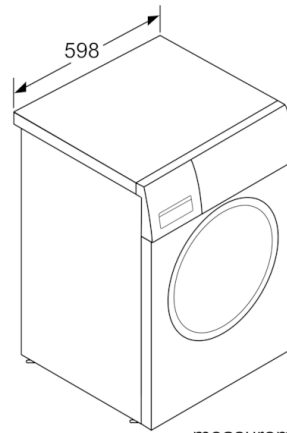
- Slide-under installation
- Dimensions (H x W x D): 84.8 x 59.8 x Appliance depth: 60 cm
- Large Alu-Look, white door with 180° opening and 30 cm porthole

** Values are rounded.

**Serie | 4, washing machine, front loader, 8
kg, 1400 rpm
WAN28280GB**



measurements in mm



measurements in mm