

**Series 4, Washing machine, front loader, 8 kg, 1400 rpm
WAN28250GB**



Automatic washing machine with EcoSilence Drive™: quiet operation and durability that you can rely on.

- **Best energy class A:** save energy with the most efficient class A.
- **ActiveWater Plus:** For highly efficient use of water even with smaller loads thanks to automatic load detection.
- **Speed Perfect:** get the perfect clean in up to 65% less time.
- **Reload function:** forgot an item? Add it easily to the wash.
- **EcoSilence Drive™:** quiet and energy-efficient drive, with a 10-year warranty.

Energy Efficiency Class: A
 Weighted energy consumption in kWh per 100 washing cycles of eco 40-60 programme: 46 kWh
 Maximum capacity in kg: 8.0 kg
 The water consumption of the eco programme in liters per cycle: 47 l
 Duration of eco 40-60 programme in hours and mins at rated capacity: 3:33 h
 Spin-drying efficiency class of eco 40-60 programme: B
 Airborne acoustical noise emission class: A
 Airborne acoustical noise emissions : 71 dB(A) re 1pW
 Built-in / Free-standing: Free-standing
 Dimensions of the product: 848 x 598 x 590 mm
 Net weight: 71.2 kg
 Connection rating: 2300 W
 Fuse protection: 10 A
 Voltage: 220-240 V
 Frequency: 50 Hz
 Length electrical supply cord: 210.0 cm
 Door hinge: Left
 Wheels: No
 EAN code: 4242005371754
 Installation typology: Free-standing

- WMZ2200 Floor securing component
 WMZ2381 Extension for cold water inlet /Aquastop
 WMZPW20W Platform with pull-out, washer, cubic



Series 4, Washing machine, front loader, 8 kg, 1400 rpm WAN28250GB

Automatic washing machine with EcoSilence Drive™: quiet operation and durability that you can rely on.

Performance

- Energy Efficiency Class¹: A
- Energy² / Water³: 46 kWh / 47 litres
- Load capacity: 1 - 8 kg
- Programme duration⁴: 3:33 h:min
- Spin drying efficiency class: B
- Spin speed^{**}: 400 - 1400 rpm
- Noise level: 71 dB (A) re 1 pW
- Noise efficiency class: A

Programmes/functions

- Standard programmes: cottons, easy care, delicates, wool hand wash
- Special programmes: Down Wear, Outdoor, Shirts, Mixed Load, Super Quick 15/30, Drum clean with reminder, jeans/dark laundry, Wool/Handwash, Delicate/Silk programme

Key features

- SpeedPerfect: perfectly clean in up to 65% less time. ***
- Touch control buttons: Prewash, Reduced Ironing option, Ready in, Temperature selection, SpeedPerfect, start/pause with reload function, Spin speed reduction

Additional features

- Reload function: Be flexible in adding laundry items even after start of the wash cycle.
- Large display for programme progress indication, spin speed, remaining time, 24 hour end time delay and load recommendation
- Drum volume: 65 litres
- Aqua Protection
- Fully electronic control dial for all wash and special programmes
- AntiVibration Design - for more stability and quietness
- EcoSilence drive with 10 year warranty
- EcoSilence drive with 10 year warranty
- ActiveWater Plus: for highly efficient use of water even with small loads thanks to automatic load detection.
- Foam detection system
- Sensor electronics with safeguard monitoring system that adjusts load and distribution and programme settings to protect clothes
- No
- Buzzer to indicate the end of cycle
- Child lock
- Divider for Liquid Detergent
- Large silver-white door with 171° opening and 32cm porthole opening
- Metal door catch
- Reload facility

Technical Information

- Slide-under installation

- Dimensions (H x W): 84.8 cm x 59.8 cm
- Appliance depth: 59.0 cm
- Appliance depth incl. door: 63.2 cm
- Appliance depth with open door: 106.3 cm

¹ Scale of Energy Efficiency Classes from A to G

² Energy consumption in kWh per 100 cycles (in programme Eco 40-60)

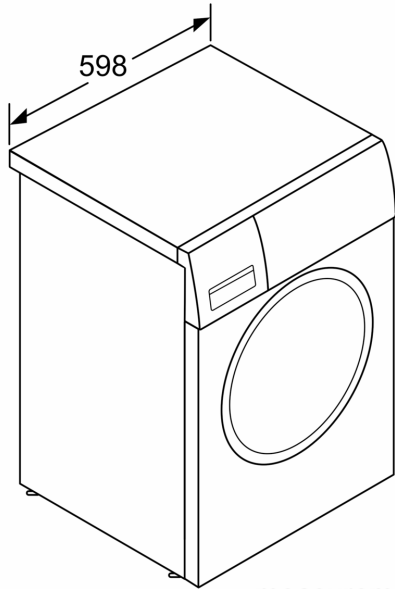
³ Weighted water consumption in litres per cycle (in programme Eco 40-60)

⁴ Duration of Eco 40-60 programme

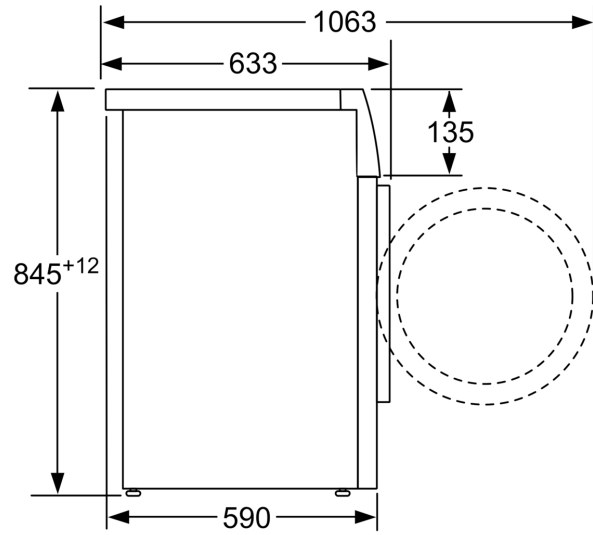
** Values are rounded.

*** Comparison between the program duration of Easy-care 40°C and the program duration of Easy-care 40°C + activated Speed option

**Series 4, Washing machine, front loader, 8 kg, 1400 rpm
WAN28250GB**



measurements in mm



measurements in mm