

**Serie | 2, washing machine, front loader, 6 kg, 1400 rpm  
WAB28162GB**



**A+++**

**The washing machine with ActiveWater™: reduces your water consumption and benefits the environment.**

- **SpeedPerfect:** perfectly clean in up to 65% less time.

**Technical Data**

Built-in / Free-standing :	Free-standing
Height of removable worktop (mm) :	848
Dimensions of the product (mm) :	848 x 598 x 550
Net weight (kg) :	67.679
Connection Rating (W) :	2000
Current (A) :	10
Voltage (V) :	220-240
Frequency (Hz) :	50
Approval certificates :	CE, VDE
Length electrical supply cord (cm) :	170
Washing performance class :	A
Door hinge :	Left
Wheels :	No
EAN code :	4242002805511
Capacity cotton (kg) - NEW (2010/30/EC) :	6.0
Energy efficiency rating :	A+++
Energy consumption annual (kWh/annum) - NEW (2010/30/EC) :	153.00
:	0.15
:	1.27
Water consumption annual (l/annum) - NEW (2010/30/EC) :	10560
Spin drying performance class :	B
Maximum spin speed (rpm) - NEW (2010/30/EC) :	1392
Average washing time cotton 40C (partial load) - NEW (2010/30/EC) :	270
Average washing time cotton 60C (full load) (min) - NEW (2010/30/EC) :	270
Average washing time cotton 60C (partial load) - NEW (2010/30/EC) :	270
Noise level washing (dB(A) re 1 pW) :	59
Noise level spinning (dB(A) re 1 pW) :	77
Installation typology :	Freestanding



4 242002 805511

**Serie | 2, washing machine, front loader, 6 kg, 1400 rpm  
WAB28162GB**

**The washing machine with ActiveWater™:  
reduces your water consumption and  
benefits the environment.**

**Technical Information**

- Dimensions (H x W x D): 84.8 x 59.8 x Appliance depth: 59 cm
- Slide-under installation
- Large white door with 165° opening and 30 cm porthole

*\*\* Values are rounded.*

**Performance**

- Energy Efficiency Class: A+++
- Capacity: 6 kg
- Maximum spin speed: 1400 rpm\*\*
- B spin class
- Energy consumption :153 kWh per year, based on 220 standard washing cycles
- Energy consumption: standard 60 °C cotton programme 0.74 kWh full load and 0.73 kWh partial load and 40 °C cotton programme 0.5 kWh partial load
- Cottons 60 Eco and Cottons 40 Eco are the standard washing programmes to which the information in the label relates. These programmes are suitable to clean normally soiled cotton laundry and are the most efficient programmes in terms of combined energy and water consumption.
- Weighted power consumption off-mode / left-on mode: 0.15 W / 1.27 W
- Water consumption 10560 litres per year, based on 220 standard washing cycles.
- Programme time:60 °C cotton programme 270 min at full load 270 min at partial load and 40 °C cotton programme 270 min partial load
- Drum volume: 42 litres
- Noise level washing : 59dB (A) re 1pW: Noise level spinning:77dB (A) re 1 pW

**Programmes/functions**

- Fully electronic control dial for all wash and special programmes
- Buttons: Start, Spin speed reduction, SpeedPerfect, Prewash

**Key features**

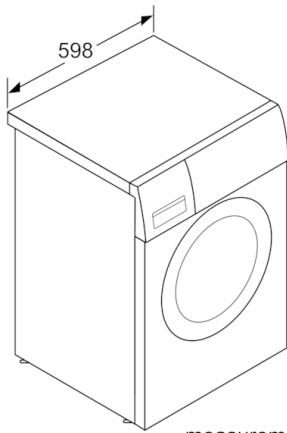
- AquaSpa wash system

**Additional features**

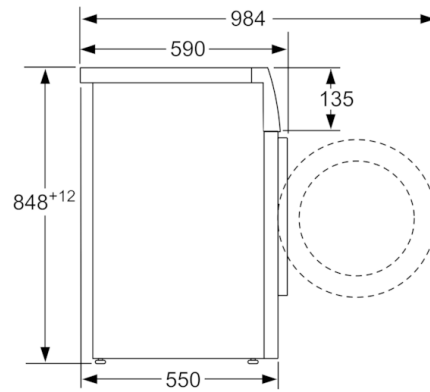
- Sensor electronics with safeguard monitoring system that adjusts load and distribution and programme settings to protect clothes
- Multiple Water Protection
- Automatic load adjustment system
- Foam detection system

**Serie | 2, washing machine, front loader, 6  
kg, 1400 rpm  
WAB28162GB**

---



measurements in mm



measurements in mm