

**Series 2, fully-integrated dishwasher,  
45 cm  
SRV2HKX39G**



**Dishwasher with an option for extra-thoroughly dry dishes with just one push of a button.**

- **ExtraDry:** extra drying option for difficult-to-dry loads.
- **Auto Programmes:** automatically selects the best cleaning performance programme
- **InfoLight:** a red infolight on the floor indicates whether the dishwasher is switched on or off.
- **EcoSilence Drive:** Energy efficient, quiet running motor.
- **AquaStop:** Bosch's warranty in case of water damage - throughout the lifetime of the appliance.\*

**Technical Data**

Energy Efficiency Class: E

Energy Consumption for 100 cycles Eco Programme: 70 kWh

Maximum number of place settings: 9

The water consumption of the eco programme in liters per cycle: 8.5 l

Programme duration: 3:40 h

Airborne acoustical noise emissions : 46 dB(A) re 1 pW

Airborne acoustical noise emission class: C

Built-in / Free-standing: Built-in

Height of removable worktop: 0 mm

Dimensions of the product (HxWxD): 815 x 448 x 550 mm

Min. required niche size for installation (HxWxD): 815-875 x 450 x 550 mm

Depth with open door 90 degree: 1150 mm

Adjustable feet: Yes - all from front

Maximum adjustability feet: 60 mm

Net weight: 27.3 kg

Gross weight: 29.2 kg

Connection Rating: 2400 W

Fuse protection: 10 A

Voltage: 220-240 V

Frequency: 50; 60 Hz

Length electrical supply cord: 175 cm

Plug type: GB plug

Length inlet hose: 165 cm

Length outlet hose: 205 cm

EAN code: 4242005322398

Installation typology: Full-integrated



**Optional accessories**

SMZ5006 : decorative strips 81cm st.steel



## Series 2, fully-integrated dishwasher, 45 cm SRV2HKX39G

### Dishwasher with an option for extra-thoroughly dry dishes with just one push of a button.

#### New for 2021

#### Performance

- Energy Efficiency Class<sup>1</sup>: E
- Energy<sup>2</sup> / Water<sup>3</sup>: 70 kWh / 8.5 litres
- Capacity: 9 place settings
- Programme duration<sup>4</sup>: 3:40 (h:min)
- Noise level: 46 dB(A) re 1 pW
- Noise Efficiency Class: C

#### Programmes / functions

- 4 programmes: Eco 50 °C, Auto 45-65 °C, Intensive 70 °C, Express 65°
- 2 special options: Extra Dry, SpeedPerfect+
- Machine Care Programme

#### Flexible design elements

- Height adjustable top basket
- Variable cutlery basket in bottom basket
- Low friction wheels on lower basket
- Rack Stopper to prevent derailing of bottom basket
- 2 foldable plate racks in bottom basket
- Knife rack in top basket
- Upper rack cup shelf

#### Innovations and technology

- Heat exchanger.
- DosageAssist detergent dispenser
- EcoSilence BLDC drive
- Automatic detergent detection
- AquaMix - Glass protection system
- AquaSensor III

#### Design features

- Push button top edge controls
- InfoLight (Red) - Light projection on the floor
- Acoustic end of cycle indicator
- Time delay (3, 6 or 9 hours)
- DuoPower spray arm in upper basket
- AquaStop: Bosch's warranty in case of water damage - for the lifetime of the appliance. Please find warranty terms

under <https://www.bosch-home.co.uk/customer-service/care-protection-and-parts/additional-warranties>

- Self-cleaning filter system with 3 piece corrugated filter
- Large item spray head, steam protection plate
- Stainless steel interior
- Dimensions (HxWxD): 81.5 x 44.8 x 55cm

<sup>1</sup> Scale of Energy Efficiency Classes from A to G

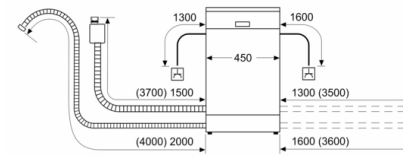
<sup>2</sup> Energy consumption in kWh per 100 cycles (in programme Eco 50 °C)

<sup>3</sup> Water consumption in litres per cycle (in programme Eco 50 °C)

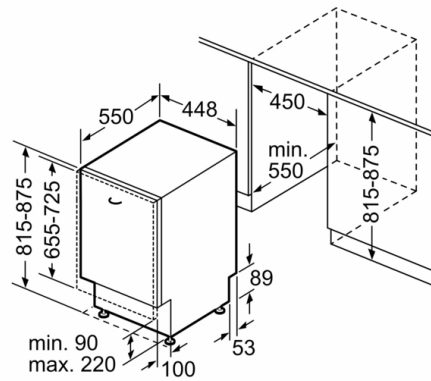
<sup>4</sup> Duration of programme Eco 50 °C

## Series 2, fully-integrated dishwasher, 45 cm SRV2HKX39G

measurements in mm



socket  
( ) values with extension kit



measurements in mm