

**Series 4, fully-integrated dishwasher,
45 cm
SPV4EMX25G**



**Better drying performance with the
connected dishwasher for smart remote
control.**

- **EfficientDry:** improved drying performance by automatic door opening.
- **Silence Plus:** the remarkably quiet 44 dB dishwasher
- **Slimline Vario Flex baskets & Vario Drawer:** 3 racks mould to fit everything from teaspoons to pots.
- **TimeLight:** program status and remaining time clearly displayed on floor in high resolution.
- **Home Connect:** home appliances with smart connectivity for an easier everyday life.

Technical Data

Energy Efficiency Class ¹ :	C
Energy Consumption for 100 cycles Eco Programme ² :	59 kWh/100 cycles
Maximum number of place settings:	10
The water consumption of the eco programme in liters per cycle: 8.9 l	
Programme duration ³ :	3:15 h
Airborne acoustical noise emissions :	44 dB(A) re 1pW
Airborne acoustical noise emission class:	B
Built-in / Free-standing:	Built-in
Height of removable worktop:	0 mm
Required niche size for installation (HxWxD):	815-875 x 450 x 550 mm
Depth with open door 90 degree:	1150 mm
Adjustable feet:	Yes - all from front
Maximum adjustability feet:	60 mm
Adjustable plinth:	Both horizontal and vertical
Net weight:	29.4 kg
Gross weight:	31.0 kg
Connection rating:	2400 W
Fuse protection:	10 A
Voltage:	220-240 V
Frequency:	50; 60 Hz
Length electrical supply cord:	175 cm
Plug type:	GB plug
Length inlet hose:	165 cm
Length outlet hose:	205 cm
EAN code:	4242005467327
Installation typology:	Integrated

Optional accessories

SMZ5300	GlassSecure Tray
SGZ0BI02	decorative strips stainless steel 81,5cm
SGZ1010	inlet and outlet hose extention
SGZ4CB00	Vario cutlery basket 45cm



¹ Scale of Energy Efficiency Classes from A to G
² Energy consumption in kWh per 100 cycles (in programme Eco 50 °C)
³ Duration of programme Eco 50 °C

Series 4, fully-integrated dishwasher, 45 cm SPV4EMX25G

Better drying performance with the connected dishwasher for smart remote control.

Performance

- Energy Efficiency Class¹: C
- Energy² / Water³: 59 kWh / 8.9 litres
- Capacity: 10 place settings
- Programme duration⁴: 3:15 (h:min)
- Noise level: 44 dB(A) re 1 pW
- Noise Efficiency Class: B
- Noise level (silence programme): 42 dB(A) re 1 pW

Programmes / functions

- 6 programmes: Eco 50 °C, Auto 45-65 °C, Intensive 70 °C, Express 65°, Silence 50 °C, Favourite
- Default favourite programme: Pre-Rinse
- 4 special options: Remote Start, Efficient Dry, Intensive Zone, SpeedPerfect+
- Add-On functions via Home Connect app: Hygiene+, Silence on Demand
- Machine Care

Flexible design elements

- Vario Flex basket system
- Cutlery drawer 1.0 Flex
- 3 stage Rackmatic height-adjustable top basket
- Low friction wheels on lower basket
- Anti-slip protection strips in upper basket
- Rack Stopper to prevent derailing of bottom basket
- 2 foldable plate racks in top basket
- 2 foldable plate racks in bottom basket
- Upper rack cup shelf
- Lower rack cup shelf
- Glass rack in bottom basket

Innovations and technology

- Home Connect ready on WLAN
- Efficient Dry and Heat Exchanger
- DosageAssist detergent dispenser
- EcoSilence BLDC drive
- Automatic detergent detection
- AquaSensor III
- AquaMix - Glass protection system

Design features

- Push button top edge controls
- TimeLight - Light projection on the floor
- DuoPower spray arm in upper basket
- Time delay (3, 6 or 24 hours)
- Acoustic end of cycle indicator
- Self-cleaning filter system with 3 piece corrugated filter
- incl. Steam protection for worktop

- AquaStop: Bosch's warranty in case of water damage - for the lifetime of the appliance. Please find warranty terms under <https://www.bosch-home.co.uk/customer-service/care-protection-and-parts/additional-warranties>

- Stainless steel interior
- Dimensions (HxWxD): 81.5 x 44.8 x 55cm

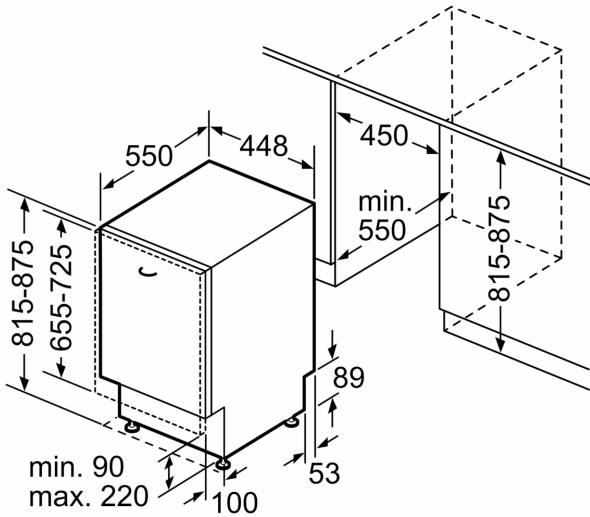
¹ Scale of Energy Efficiency Classes from A to G

² Energy consumption in kWh per 100 cycles (in programme Eco 50 °C)

³ Water consumption in litres per cycle (in programme Eco 50 °C)

⁴ Duration of programme Eco 50 °C

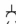
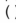
**Series 4, fully-integrated dishwasher,
45 cm
SPV4EMX25G**



measurements in mm

measurements in mm



 socket
 values with extension kit