

**Serie | 6, fully-integrated dishwasher,
60 cm
SMV68ND02G**



Enjoy a peaceful kitchen. Our especially quiet SuperSilence dishwasher. Even quieter when running the Silence program.

- **ExtraDry:** extra drying option for difficult-to-dry loads.
- **Silence Program and SuperSilence:** remarkably quiet at 44 dB, more so with the Silence program.
- **Glass 40°C:** gentle cleaning for your delicate glassware.
- **VarioDrawer:** 3rd level loading for cutlery and smaller kitchen utensils.
- **Rackmatic:** even more adjustment options and thus maximum flexibility.

Technical Data

Energy Efficiency Class: E

Energy Consumption for 100 cycles Eco Programme: 94 kWh

Maximum number of place settings: 13

The water consumption of the eco programme in liters per cycle: 6.7 l

Programme duration: 3:55 h

Airborne acoustical noise emissions : 44 dB(A) re 1 pW

Airborne acoustical noise emission class: B

Built-in / Free-standing: Built-in

Height of removable worktop: 0 mm

Dimensions of the product (HxWxD): 815 x 598 x 550 mm

Required niche size for installation (HxWxD): 815-875 x 600 x 550 mm

Approval certificates: CE, VDE

Depth with open door 90 degree: 1150 mm

Adjustable feet: Yes - all from front

Maximum adjustability feet: 60 mm

Net weight: 39.7 kg

Gross weight: 42.0 kg

Connection Rating: 2400 W

Fuse protection: 10 A

Voltage: 220-240 V

Frequency: 50; 60 Hz

Length electrical supply cord: 175 cm

Plug type: GB plug

Length inlet hose: 165 cm

Length outlet hose: 190 cm

EAN code: 4242005144068

Installation typology: Full-integrated



Optional accessories

SMZ5035 : Decor conversion kit, stainless steel



Serie | 6, fully-integrated dishwasher, 60 cm SMV68ND02G

Enjoy a peaceful kitchen. Our especially quiet SuperSilence dishwasher. Even quieter when running the Silence program.

Performance

- Energy Efficiency Class¹: E
- Energy² / Water³: 94 kWh / 6.7 litres
- Capacity: 13 place settings
- Programme duration⁴: 3:55 (h:min)
- Noise level: 44 dB(A) re 1 pW
- Noise Efficiency Class: B
- Noise level (silence programme): 41 dB(A) re 1 pW

Programmes/functions

- 8 programmes: Intensive 70 °C, Auto 45-65 °C, Eco 50 °C, Silence, Glass 40 °C, 1h 65 °C, Quick 45 °C, Prerinse
- 4 special options: Intensive Zone, VarioSpeedPlus, Hygiene+, Extra Dry
- Special program 1: Machine Care
- 5 temperatures

Flexible design elements

- mid TP
- VarioDrawer - loading of cutlery on 3rd level
- VarioFlex basket system Basket system with red coloured touchpoints
- 3 stage Rackmatic height-adjustable top basket
- Lower rack handle: BO plastic-middle grey-red
- 2 foldable plate racks in top basket
- 4 foldable plate racks in bottom basket
- Upper rack cup shelf

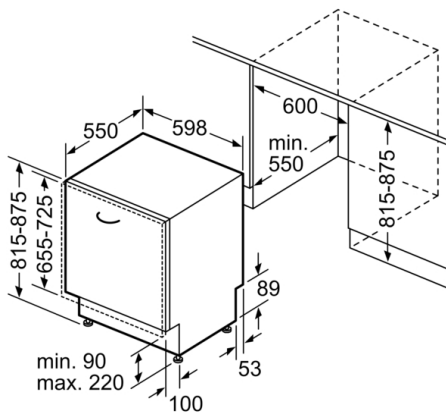
Innovations and technology

- DoorOpen Assist - perfectly designed for kitchens without handles
- Heat exchanger.
- DosageAssist detergent dispenser
- Automatic detergent detection
- ActiveWater hydraulic water system
- EcoSilence BLDC drive
- AquaSensor III, Load Sensor
- AquaMix - Glass protection system
- AquaStop: Bosch's warranty in case of water damage - for the lifetime of the appliance. Please find warranty terms under <https://www.bosch-home.co.uk/customer-service/care-protection-and-parts/additional-warranties>
- Curved spray arms

Design features

- Touch Control (Metallic)
 - Push button top edge controls
 - TimeLight - White light projection on floor, Acoustic end of cycle indicator, Time remaining indicator (min), water inlet indicator
 - Time delay (3, 6 or 24 hours)
 - ChildLock - double push to open
 - Stainless steel interior
 - Display colour: red/white
 - LED salt refill indicator, LED rinse aid refill indicator
 - Alternating spray arms
 - Large item spray head, steam protection plate
 - Self-cleaning filter system with 3 piece corrugated filter
 - Acoustic end of cycle indicator
 - Front-adjustable rear foot
 - Dimensions (HxWxD): 81.5 x 59.8 x 55cm
- ¹ Scale of Energy Efficiency Classes from A to G
² Energy consumption in kWh per 100 cycles (in programme Eco 50 °C)
³ Water consumption in litres per cycle (in programme Eco 50 °C)
⁴ Duration of programme Eco 50 °C

**Serie | 6, fully-integrated dishwasher, 60 cm
SMV68ND02G**



measurements in mm

