

**Series 4, fully-integrated dishwasher,
60 cm
SMV4HVX38G**



**Flexible loading and smart remote control
of your dishwasher via the Home Connect
app.**

- **Home Connect:** home appliances with smart connectivity for an easier everyday life.
- **Extra Dry:** extra drying option for difficult-to-dry loads.
- **VarioFlex-baskets and VarioDrawer:** enhanced flexibility options with more space on all levels.
- **InfoLight:** a red infolight on the floor indicates whether the dishwasher is switched on or off.
- **Favourite function:** personalized function by just one touch.

- SGZ0BI02 decorative strips stainless steel 81,5cm
- SGZ1010 inlet and outlet hose extension
- SGZ8BI00 Connection rail for divided furniture
- SMZ2056 Attachment door, stainless steel
- SMZ5003 Retractable hinge f. high corpus dimens.
- SMZ5100 Vario-cutlery basket
- SMZ5300 GlassSecure Tray

Energy Efficiency Class:D
 Energy Consumption for 100 cycles Eco Programme: 84 kWh
 Maximum number of place settings: 13
 The water consumption of the eco programme in liters per cycle: 9.5 l
 Programme duration: 5:20 h
 Airborne acoustical noise emissions :46 dB(A) re 1pW
 Airborne acoustical noise emission class:C
 Built-in / Free-standing: Built-in
 Height of removable worktop:0 mm
 Dimensions of the product (HxWxD):815 x 598 x 550 mm
 Required niche size for installation (HxWxD):815-875 x 600 x 550 mm
 Depth with open door 90 degree: 1150 mm
 Adjustable feet: Yes - all from front
 Maximum adjustability feet: 60 mm
 Adjustable plinth: Both horizontal and vertical
 Net weight:34.3 kg
 Gross weight: 36.5 kg
 Connection rating: 2400 W
 Fuse protection: 10 A
 Voltage: 220-240 V
 Frequency: 50; 60 Hz
 Length electrical supply cord: 175.0 cm
 Plug type: GB plug
 Length inlet hose: 165 cm
 Length outlet hose: 190 cm
 EAN code:4242005304660
 Installation typology: Integrated



Series 4, fully-integrated dishwasher, 60 cm SMV4HVX38G

Flexible loading and smart remote control of your dishwasher via the Home Connect app.

- Stainless steel/Polinox interior
- Dimensions (HxWxD): 81.5 x 59.8 x 55cm

¹ Scale of Energy Efficiency Classes from A to G

² Energy consumption in kWh per 100 cycles (in programme Eco 50 °C)

³ Water consumption in litres per cycle (in programme Eco 50 °C)

⁴ Duration of programme Eco 50 °C

New for 2021

Performance

- Energy Efficiency Class¹: D
- Energy² / Water³: 84 kWh / 9.5 litres
- Capacity: 13 place settings
- Programme duration⁴: 5:20 (h:min)
- Noise level: 46 dB(A) re 1 pW
- Noise Efficiency Class: C

Programmes / functions

- 6 programmes: Eco 50 °C, Auto 45-65 °C, Intensive 70 °C, Express 65°, Glass 40 °C, Favourite
- Default favourite programme: Pre-Rinse
- 4 special options: Remote Start, Extra Dry, Half Load, SpeedPerfect+
- Machine Care
- Silence on Demand (via app)

Flexible design elements

- Vario Flex baskets
- VarioDrawer - loading of cutlery on 3rd level
- 3 stage Rackmatic height-adjustable top basket
- Low friction wheels on lower basket
- Rack Stopper to prevent derailing of bottom basket
- 2 foldable plate racks in top basket
- 4 foldable plate racks in bottom basket
- Upper rack cup shelf

Innovations and technology

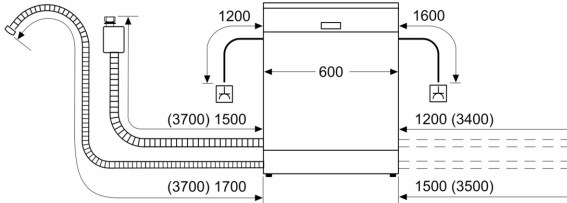
- Home Connect ready on WLAN
- Heat exchanger.
- DosageAssist detergent dispenser
- EcoSilence BLDC drive
- Automatic detergent detection
- AquaSensor III
- AquaMix - Glass protection system

Design features

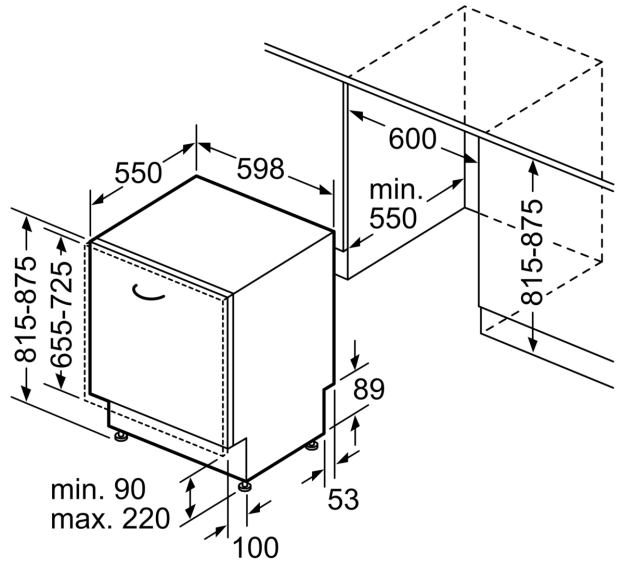
- Push button top edge controls
- InfoLight (Red) - Light projection on the floor
- Time delay (3, 6 or 24 hours)
- Acoustic end of cycle indicator, Time remaining indicator (min), water inlet indicator
- AquaStop: Bosch's warranty in case of water damage - for the lifetime of the appliance. Please find warranty terms under <https://www.bosch-home.co.uk/customer-service/care-protection-and-parts/additional-warranties>
- Self-cleaning filter system with 3 piece corrugated filter
- Large item spray head, incl. Steam protection for worktop

**Series 4, fully-integrated dishwasher,
60 cm
SMV4HVX38G**

measurements in mm



⏏ socket
() values with extension kit



measurements in mm