

**Series 4, fully-integrated dishwasher,
60 cm
SMV4HCX40G**



Easy loading of dishes and management of your dishwasher via the Home Connect app.

- **Home Connect:** home appliances with smart connectivity for an easier everyday life.
- **ExtraDry:** extra drying option for difficult-to-dry loads.
- **Silence on demand:** up to 30 min noise reduction at any time via the Home Connect App.
- **InfoLight:** a red infolight on the floor indicates whether the dishwasher is switched on or off.
- **Favourite function:** personalized function by just one touch.

SGZ0BI01	decorative strips stainless steel 81,5cm
SGZ0IC00	Small Item Clip for upper rack
SGZ1010	inlet and outlet hose extention
SGZ8BI00	Connection rail for divided furniture
SMZ2056	Attachment door, stainless steel
SMZ5003	Retractable hinge f. high corpus dimens.
SMZ5035	Decor conversion kit, stainless steel
SMZ5100	Vario-cutlery basket
SMZ5300	GlassSecure Tray

Energy Efficiency Class:D
Energy Consumption for 100 cycles Eco Programme: 85 kWh
Maximum number of place settings: 14
The water consumption of the eco programme in liters per cycle:	9.5 l
Programme duration: 4:55 h
Airborne acoustical noise emissions :46 dB(A) re 1pW
Airborne acoustical noise emission class:C
Built-in / Free-standing: Built-in
Height of removable worktop:0 mm
Dimensions of the product (HxWxD):815 x 598 x 550 mm
Min. required niche size for installation (HxWxD):815-875 x 600 x 550 mm
Depth with open door 90 degree: 1150 mm
Adjustable feet: Yes - all from front
Maximum adjustability feet: 60 mm
Adjustable plinth: Both horizontal and vertical
Net weight:34.9 kg
Gross weight: 37.0 kg
Connection rating: 2400 W
Fuse protection: 10 A
Voltage: 220-240 V
Frequency: 50; 60 Hz
Length electrical supply cord: 175.0 cm
Plug type: GB plug
Length inlet hose: 165 cm
Length outlet hose: 190 cm
EAN code:4242005265237
Installation typology: Integrated



Series 4, fully-integrated dishwasher, 60 cm SMV4HCX40G

Easy loading of dishes and management of your dishwasher via the Home Connect app.

New for 2021

Performance

- Energy Efficiency Class¹: D
- Energy² / Water³: 85 kWh / 9.5 litres
- Capacity: 14 place settings
- Programme duration⁴: 4:55 (h:min)
- Noise level: 46 dB(A) re 1 pW
- Noise Efficiency Class: C
- Noise level (silence programme): 43 dB(A) re 1 pW

Programmes / functions

- 6 programmes: Eco 50 °C, Auto 45-65 °C, Intensive 70 °C, Express 65°, Silence 50 °C, Favourite
- Default favourite programme: Pre-Rinse
- 4 special options: Remote Start, Extra Dry, Half Load, SpeedPerfect+
- Machine Care
- Silence on Demand (via app)

Flexible design elements

- Flex basket system
- VarioDrawer - loading of cutlery on 3rd level
- 3 stage Rackmatic height-adjustable top basket
- Low friction wheels on lower basket
- Rack Stopper to prevent derailing of bottom basket
- 2 foldable plate racks in top basket
- 2 foldable plate racks in bottom basket
- Upper rack cup shelf
- Lower rack cup shelf

Innovations and technology

- Home Connect ready on WLAN
- Heat exchanger.
- DosageAssist detergent dispenser
- EcoSilence BLDC drive
- Automatic detergent detection
- AquaMix - Glass protection system
- AquaSensor III

Design features

- Push button top edge controls
- InfoLight (Red) - Light projection on the floor
- Acoustic end of cycle indicator, Time remaining indicator (min), water inlet indicator
- Time delay (3, 6 or 24 hours)
- AquaStop: Bosch's warranty in case of water damage - for the lifetime of the appliance. Please find warranty terms under <https://www.bosch-home.co.uk/customer-service/care-protection-and-parts/additional-warranties>

- Self-cleaning filter system with 3 piece corrugated filter
- Large item spray head, incl. Steam protection for worktop
- Stainless steel interior
- Dimensions (HxWxD): 81.5 x 59.8 x 55cm

¹ Scale of Energy Efficiency Classes from A to G

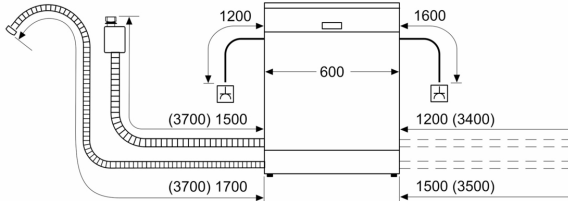
² Energy consumption in kWh per 100 cycles (in programme Eco 50 °C)

³ Water consumption in litres per cycle (in programme Eco 50 °C)

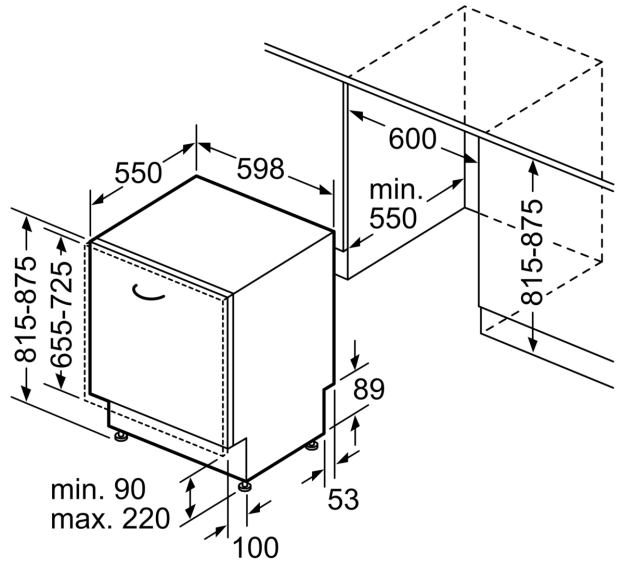
⁴ Duration of programme Eco 50 °C

**Series 4, fully-integrated dishwasher,
60 cm
SMV4HCX40G**

measurements in mm



⌚ socket
() values with extension kit



measurements in mm