

**Series 4, fully-integrated dishwasher,
60 cm
SMV46KX01E**



- **ExtraDry:** extra drying option for difficult-to-dry loads.
- **Glass 40°C:** gentle cleaning for your delicate glassware.
- **VarioFlex-baskets and VarioDrawer:** enhanced flexibility options with more space on all levels.
- **VarioDrawer:** 3rd level loading for cutlery and smaller kitchen utensils.
- **Rackmatic:** even more adjustment options and thus maximum flexibility.

Technical Data

Energy Efficiency Class: E
 Energy Consumption for 100 cycles Eco Programme: 94 kWh
 Maximum number of place settings: 13
 The water consumption of the eco programme in liters per cycle: 9.5 l
 Programme duration: 3:30 h
 Airborne acoustical noise emissions :46 dB(A) re 1 pW
 Airborne acoustical noise emission class:C
 Built-in / Free-standing: Built-in
 Height of removable worktop: 0 mm
 Dimensions of the product (HxWxD):815 x 598 x 550 mm
 Min. required niche size for installation (HxWxD):815-875 x 600 x 550 mm
 Depth with open door 90 degree: 1150 mm
 Adjustable feet: Yes - all from front
 Maximum adjustability feet: 60 mm
 Net weight: 36.4 kg
 Gross weight: 38.9 kg
 Connection rating: 2400 W
 Fuse protection:10 A
 Voltage: 220-240 V
 Repair index:7.9
 Length electrical supply cord: 175.0 cm
 Plug type: GARDY plug w/ earthing
 Length inlet hose: 165 cm
 Length outlet hose: 190 cm
 EAN code: 4242002950334
 Installation typology: Integrated

Optional accessories

- | | |
|-----------|--|
| SMZ5100 | Vario-cutlery basket |
| SGZ1010 | inlet and outlet hose extension |
| SGZ8BI00 | Connection rail for divided furniture |
| SMZ1051EU | Mains cable with EU-Plug 5m |
| SMZ5006 | decorative strips 81cm st. steel |
| SMZ2014 | Rack insert for stemware dishwasher |
| SMZ2056 | Attachment door, stainless steel |
| SMZ5003 | Retractable hinge f. high corpus dimens. |



Series 4, fully-integrated dishwasher, 60 cm SMV46KX01E

Performance

- Energy Efficiency Class¹: E
- Energy² / Water³: 94 kWh / 9.5 litres
- Capacity: 13 place settings
- Programme duration⁴: 3:30 (h:min)
- Noise level: 46 dB(A) re 1 pW
- Noise Efficiency Class: C

Programmes / functions

- 6 programmes: Intensive 70 °C, Auto 45-65 °C, Eco 50 °C, Glass, 1 hour, Pre Rinse
- 3 special options: VarioSpeedPlus, HygienePlus, Extra Dry
- Special program 1: Machine Care

Flexible design elements

- VarioDrawer - loading of cutlery on 3rd level
- 3 stage Rackmatic height-adjustable top basket
- 2 foldable plate racks in top basket
- 4 foldable plate racks in bottom basket
- Upper rack cup shelf

Innovations and technology

- Heat exchanger.
- DosageAssist detergent dispenser
- Automatic detergent detection
- ActiveWater hydraulic water system
- EcoSilence BLDC drive
- AquaSensor III
- Alternating spray arms
- AquaMix - Glass protection system
- AquaStop: Bosch's warranty in case of water damage - for the lifetime of the appliance. Please find warranty terms under <https://www.bosch-home.co.uk/customer-service/care-protection-and-parts/additional-warranties>

Design features

- Push button top edge controls
- Red Info light, Acoustic end of cycle indicator, Time remaining indicator (min), water inlet indicator
- Time delay (3, 6 or 24 hours)
- Stainless steel/Polinox interior
- LED salt refill indicator, LED rinse aid refill indicator
- Self-cleaning filter system with 3 piece corrugated filter
- Acoustic end of cycle indicator
- Front-adjustable rear foot
- steam protection plate
- Dimensions (HxWxD): 81.5 x 59.8 x 55cm

¹ Scale of Energy Efficiency Classes from A to G

² Energy consumption in kWh per 100 cycles (in programme Eco 50 °C)

³ Water consumption in litres per cycle (in programme Eco 50 °C)

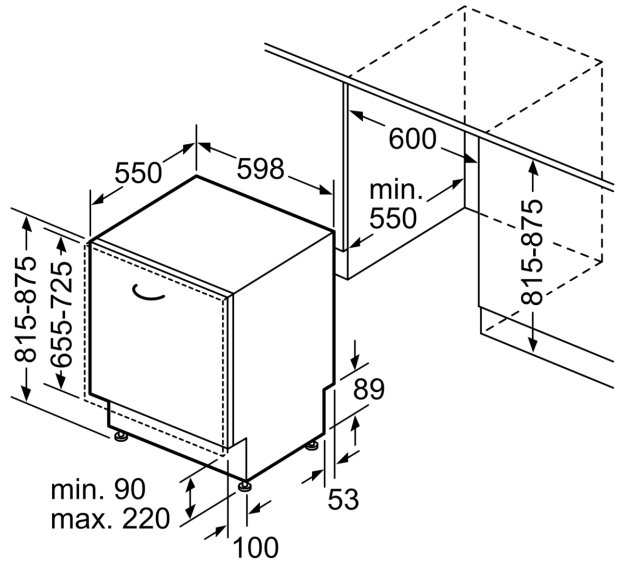
⁴ Duration of programme Eco 50 °C

**Series 4, fully-integrated dishwasher,
60 cm
SMV46KX01E**

measurements in mm



⏏ socket
() values with extension kit



measurements in mm