

**Serie | 4, fully-integrated dishwasher,
60 cm
SMV46JX01G**



Optional accessories

SMZ5035 : Decor conversion kit, stainless steel

Gentle - even to your ear. Our SilencePlus.

Technical Data

Energy Efficiency Class: E
Energy Consumption for 100 cycles Eco Programme: 94 kWh
Maximum number of place settings: 13
The water consumption of the eco programme in liters per cycle:
9.5 l
Programme duration: 3:45 h
Airborne acoustical noise emissions : 46 dB(A) re 1 pW
Airborne acoustical noise emission class: C
Built-in / Free-standing: Built-in
Height of removable worktop: 0 mm
Dimensions of the product (HxWxD): 815 x 598 x 550 mm
Required niche size for installation (HxWxD): 815-875 x 600 x
550 mm
Approval certificates: CE, VDE
Depth with open door 90 degree: 1150 mm
Adjustable feet: Yes - all from front
Maximum adjustability feet: 60 mm
Net weight: 33.2 kg
Gross weight: 35.5 kg
Connection Rating: 2400 W
Fuse protection: 10 A
Voltage: 220-240 V
Frequency: 50; 60 Hz
Length electrical supply cord: 175 cm
Plug type: GB plug
Length inlet hose: 165 cm
Length outlet hose: 190 cm
EAN code: 4242005140916
Installation typology: Full-integrated



Serie | 4, fully-integrated dishwasher, 60 cm SMV46JX01G

Gentle - even to your ear. Our SilencePlus.

Performance

Programmes/functions

- 6 programmes:
Intensive 70 °C, Auto 45-65 °C, Eco 50 °C,
Glass 40 °C, Quick wash 45 °C, Pre-Rinse
- 3 special options: VarioSpeedPlus, HygienePlus, Extra Dry
- Special program 1: Machine Care
- 5 temperatures

Flexible design elements

- 3 stage Rackmatic height-adjustable top basket
- Lower rack handle: BO plastic-middle grey-red
- 2 foldable plate racks in top basket
- 4 foldable plate racks in bottom basket
- Moveable cutlery basket in lower rack
- Knife rack in top basket

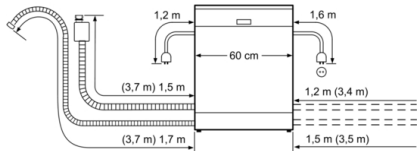
Innovations and technology

- Heat exchanger - Hygienic and efficient drying
- DosageAssist detergent dispenser
- Automatic detergent detection
- ActiveWater hydraulic water system
- EcoSilence BLDC drive
- AquaSensor III, Load Sensor
- AquaMix - Glass protection system
- AquaStop: Bosch warranty in case of water damage - for the lifetime of the appliance. Please find warranty terms under <https://www.bosch-home.co.uk/customer-service/care-protection-and-parts/additional-warranties>
- Curved spray arms

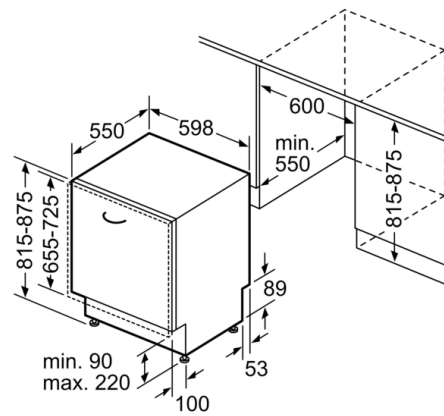
Design features

- Push button top edge controls
- Display colour: Red LED indicators
- Acoustic end of cycle indicator, Time remaining indicator (min), water inlet indicator
- Red Info light, Acoustic end of cycle indicator, Time remaining indicator (min), water inlet indicator
- Time delay (3, 6 or 24 hours)
- Stainless steel interior
- LED salt refill indicator, LED rinse aid refill indicator
- Alternating spray arms
- Large item spray head, steam protection plate
- Self-cleaning filter system with 3 piece corrugated filter
- Acoustic end of cycle indicator
- Front-adjustable rear foot
- Dimensions (HxWxD): 81.5 x 59.8 x 55cm

Serie | 4, fully-integrated dishwasher, 60 cm SMV46JX01G



() Werte mit Verlängerungssatz



measurements in mm