

**Serie | 4, fully-integrated dishwasher,
60 cm
SMV46GX01G**



Optional accessories

SMZ5006 : decorative strips 81cm st.steel

Gentle - even to your ear. Our SilencePlus.

- **ExtraDry:** extra drying option for difficult-to-dry loads.
- **Glass 40°C:** protective programme for gently cleaning and drying glasses.
- **VarioFlex baskets:** easily adjustable to create more space for your dishes.
- **Rackmatic:** even more adjustment options and thus maximum flexibility.
- **InfoLight:** a red infolight on the floor indicates whether the dishwasher is switched on or off.

Technical Data

Energy Efficiency Class: E

Energy Consumption for 100 cycles Eco Programme: 92 kWh

Maximum number of place settings: 12

The water consumption of the eco programme in liters per cycle: 10.0 l

Programme duration: 3:30 h

Airborne acoustical noise emissions : 48 dB(A) re 1 pW

Airborne acoustical noise emission class: C

Built-in / Free-standing: Built-in

Height of removable worktop: 0 mm

Dimensions of the product (HxWxD): 815 x 598 x 550 mm

Required niche size for installation (HxWxD): 815-875 x 600 x 550 mm

Approval certificates: CE, VDE

Depth with open door 90 degree: 1150 mm

Adjustable feet: Yes - all from front

Maximum adjustability feet: 60 mm

Net weight: 32.8 kg

Gross weight: 35.0 kg

Connection Rating: 2400 W

Fuse protection: 10 A

Voltage: 220-240 V

Frequency: 50; 60 Hz

Length electrical supply cord: 175 cm

Plug type: GB plug

Length inlet hose: 165 cm

Length outlet hose: 190 cm

EAN code: 4242005027897

Installation typology: Full-integrated



4 242005 027897

Serie | 4, fully-integrated dishwasher, 60 cm SMV46GX01G

Gentle - even to your ear. Our SilencePlus.

Performance

Programmes/functions

- 6 programmes: Intensive 70 °C, Auto 45-65 °C , Eco 50 °C, Glass, Quick, Pre Rinse
- 3 special options: VarioSpeedPlus, HygienePlus, Extra Dry
- Special program 1: Machine Care
- 5 temperatures

Flexible design elements

- 3 stage Rackmatic height-adjustable top basket
- Lower rack handle: BO plastic-middle grey-red
- 2 foldable plate racks in top basket
- 4 foldable plate racks in bottom basket
- Moveable cutlery basket in lower rack
- Knife rack in top basket

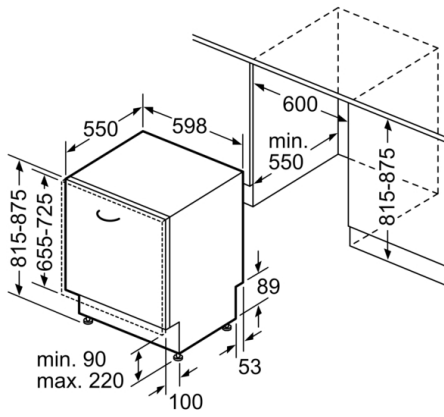
Innovations and technology

- Heat exchanger - Hygienic and efficient drying
- DosageAssist detergent dispenser
- Automatic detergent detection
- ActiveWater hydraulic water system
- EcoSilence BLDC drive
- AquaSensor III, Load Sensor
- AquaMix - Glass protection system
- AquaStop: Bosch warranty in case of water damage - for the lifetime of the appliance. Please find warranty terms under <https://www.bosch-home.co.uk/customer-service/care-protection-and-parts/additional-warranties>
- Curved spray arms

Design features

- Push button top edge controls
- Acoustic end of cycle indicator, Time remaining indicator (min), water inlet indicator
- Red Info light, Acoustic end of cycle indicator, Time remaining indicator (min), water inlet indicator
- Time delay (3, 6 or 24 hours)
- Stainless steel/Polinox interior
- Display colour: Red LED indicators
- LED salt refill indicator, LED rinse aid refill indicator
- Alternating spray arms
- Large item spray head, steam protection plate
- Self-cleaning filter system with 3 piece corrugated filter
- Acoustic end of cycle indicator
- Front-adjustable rear foot
- Dimensions (HxWxD): 81.5 x 59.8 x 55cm

**Serie | 4, fully-integrated dishwasher, 60 cm
SMV46GX01G**



measurements in mm