

**Serie | 2, fully-integrated dishwasher,  
60 cm  
SMV40C40GB**



**The ActiveWater 60 with VarioSpeed:  
Rinses and dries your dishes thoroughly in  
half the time.**

- **Height Adjustable Top Basket:** offers extra space, especially for tall dishes.
- **InfoLight:** a red infolight on the floor indicates whether the dishwasher is switched on or off.
- **AquaStop:** protects against leaks, with a 100% lifetime warranty.
- **EcoSilence Drive:** Energy efficient, quiet running motor.
- **10-year guarantee:** our convincing promise of quality against rusting of the inner tub.

**Technical Data**

Energy Efficiency Class: F

Energy Consumption for 100 cycles Eco Programme: 102 kWh

Maximum number of place settings: 12

The water consumption of the eco programme in liters per cycle: 11.7 l

Programme duration: 3:30 h

Airborne acoustical noise emissions : 50 dB(A) re 1 pW

Airborne acoustical noise emission class: C

Built-in / Free-standing: Built-in

Height of removable worktop: 0 mm

Dimensions of the product (HxWxD): 815 x 598 x 550 mm

Required niche size for installation (HxWxD): 815-875 x 600 x 550 mm

Approval certificates: CE, VDE

Depth with open door 90 degree: 1150 mm

Adjustable feet: Yes - all from front

Maximum adjustability feet: 60 mm

Net weight: 29.868 kg

Gross weight: 32.2 kg

Connection Rating: 2400 W

Fuse protection: 10 A

Voltage: 220-240 V

Frequency: 50; 60 Hz

Length electrical supply cord: 175 cm

Plug type: GB plug

Length inlet hose: 165 cm

Length outlet hose: 190 cm

EAN code: 4242002864594

Installation typology: Full-integrated

**Optional accessories**

SMZ5006 : decorative strips 81cm st.steel



4 242002 864594

## Serie | 2, fully-integrated dishwasher, 60 cm SMV40C40GB

### The ActiveWater 60 with VarioSpeed: Rinses and dries your dishes thoroughly in half the time.

#### Performance

- Energy Efficiency Class<sup>1</sup>: F
- Energy<sup>2</sup> / Water<sup>3</sup>: 102 kWh / 11.7 litres
- Capacity: 12 place settings
- Programme duration<sup>4</sup>: 3:30 (h:min)
- Noise level: 50 dB(A) re 1 pW
- Noise Efficiency Class: C

#### Programmes/functions

- 4 programmes: Normal 65 °C, Eco 50 °C, Quick wash 45 °C, Pre-Rinse
- 1 Special option: VarioSpeed
- 3 temperatures

#### Flexible design elements

- Vario baskets
- Lower rack handle: no handle
- Height adjustable top basket
- 2 foldable plate racks in bottom basket
- Cutlery basket in lower rack

#### Innovations and technology

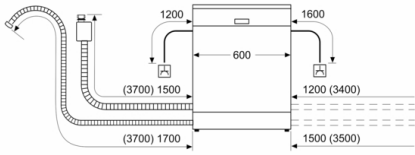
- Heat exchanger.
- EcoSilence BLDC drive
- Curved spray arms
- ActiveWater hydraulic water system
- DosageAssist detergent dispenser
- Automatic detergent detection
- Load Sensor
- AquaMix - Glass protection system
- steam protection plate
- AquaStop: Bosch warranty in case of water damage - for the lifetime of the appliance. Please find warranty terms under <https://www.bosch-home.co.uk/customer-service/care-protection-and-parts/additional-warranties>

#### Design features

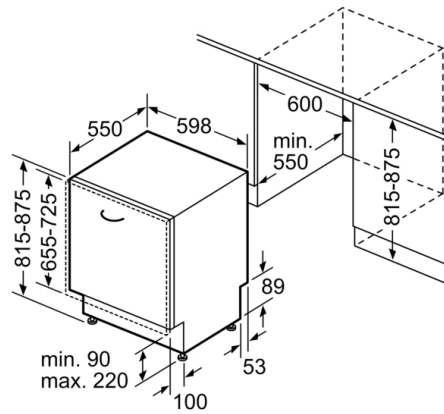
- Stainless steel/Polinox interior
- Red Info light, Acoustic end of cycle indicator, Washing + drying LEDs, water inlet indicator
- Push button top edge controls
- Display colour: Red LED indicators
- LED salt refill indicator, LED rinse aid refill indicator
- Self cleaning filter system with 3 piece corrugated filter
- Time delay (3, 6 or 9 hours)
- Dimensions (HxWxD): 81.5 x 59.8 x 55cm
- <sup>1</sup> Scale of Energy Efficiency Classes from A to G
- <sup>2</sup> Energy consumption in kWh per 100 cycles (in programme Eco 50 °C)
- <sup>3</sup> Water consumption in litres per cycle (in programme Eco 50 °C)
- <sup>4</sup> Duration of programme Eco 50 °C

## Serie | 2, fully-integrated dishwasher, 60 cm SMV40C40GB

measurements in mm



A socket  
( ) values with extension kit



measurements in mm