

**Serie | 2, fully-integrated dishwasher,
60 cm
SMV40C00GB**



The ActiveWater 60 with AquaStop: Offers you 100% protection against water damage for the life of the appliance - guaranteed.

- **InfoLight:** a red infolight on the floor indicates whether the dishwasher is switched on or off.
- **AquaStop:** Bosch's warranty in case of water damage - throughout the lifetime of the appliance.*
- **EcoSilence Drive:** Energy efficient, quiet running motor.
- **10-year guarantee:** our convincing promise of quality against rusting of the inner tub.

Technical Data

Energy Efficiency Class: F

Energy Consumption for 100 cycles Eco Programme: 102 kWh

Maximum number of place settings: 12

The water consumption of the eco programme in liters per cycle: 14.0 l

Programme duration: 3:30 h

Airborne acoustical noise emissions : 54 dB(A) re 1 pW

Airborne acoustical noise emission class: D

Built-in / Free-standing: Built-in

Height of removable worktop: 0 mm

Dimensions of the product (HxWxD): 815 x 598 x 550 mm

Required niche size for installation (HxWxD): 815-875 x 600 x 550 mm

Approval certificates: CE, VDE

Depth with open door 90 degree: 1150 mm

Adjustable feet: Yes - all from front

Maximum adjustability feet: 60 mm

Net weight: 28.1 kg

Gross weight: 30.6 kg

Connection Rating: 2400 W

Fuse protection: 10 A

Voltage: 220-240 V

Frequency: 50; 60 Hz

Length electrical supply cord: 175 cm

Plug type: GB plug

Length inlet hose: 165 cm

Length outlet hose: 190 cm

EAN code: 4242002862071

Installation typology: Full-integrated

Optional accessories

SMZ2044 : Plinth casing and door, stainless steel

SMZ5006 : decorative strips 81cm st.steel



Serie | 2, fully-integrated dishwasher, 60 cm SMV40C00GB

⁴ Duration of programme Eco 50 °C

The ActiveWater 60 with AquaStop: Offers you 100% protection against water damage for the life of the appliance - guaranteed.

Performance

- Energy Efficiency Class¹: F
- Energy² / Water³: 102 kWh / 14 litres
- Capacity: 12 place settings
- Programme duration⁴: 3:30 (h:min)
- Noise level: 54 dB(A) re 1 pW
- Noise Efficiency Class: D

Programmes/functions

- 4 programmes: Normal 65 °C, Eco 50 °C, Quick wash 45 °C, Pre-Rinse
- 3 temperatures

Flexible design elements

- Normal baskets
- Cutlery basket in lower rack

Innovations and technology

- EcoSilence BLDC drive
- Curved spray arms
- Heat exchanger.
- ActiveWater hydraulic water system
- DosageAssist detergent dispenser
- Automatic detergent detection
- Load Sensor
- AquaMix - Glass protection system
- Large item spray head, steam protection plate
- AquaStop: Bosch's warranty in case of water damage - for the lifetime of the appliance. Please find warranty terms under <https://www.bosch-home.co.uk/customer-service/care-protection-and-parts/additional-warranties>

Design features

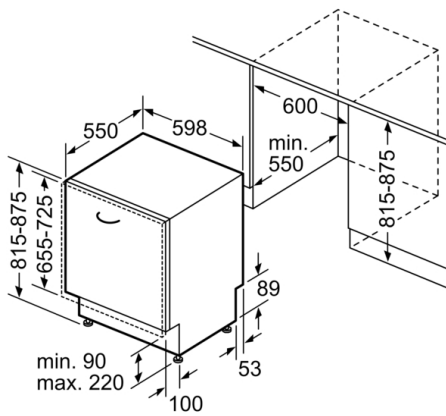
- Stainless steel/Polinox interior
- Red Info light, Acoustic end of cycle indicator, Washing + drying LEDs, water inlet indicator
- Push button top edge controls
- Display colour: Red LED indicators
- LED salt refill indicator, LED rinse aid refill indicator
- Self cleaning filter system with 3 piece corrugated filter
- Dimensions (HxWxD): 81.5 x 59.8 x 55cm

¹ Scale of Energy Efficiency Classes from A to G

² Energy consumption in kWh per 100 cycles (in programme Eco 50 °C)

³ Water consumption in litres per cycle (in programme Eco 50 °C)

**Serie | 2, fully-integrated dishwasher, 60 cm
SMV40C00GB**



measurements in mm

